

**CHICAGO FAUCETS** 

a Geberit company

2100 South Clearwater Drive  
Des Plaines, IL 60018  
Phone: 847-803-5000  
Fax: 847-803-5454  
www.chicagofaucets.com

**FOR TECHNICAL ASSISTANCE**  
1-800-TEC-TRUE (1-800-832-8783)

# REPAIR PARTS

BY: JAR DATE: 9-14-01

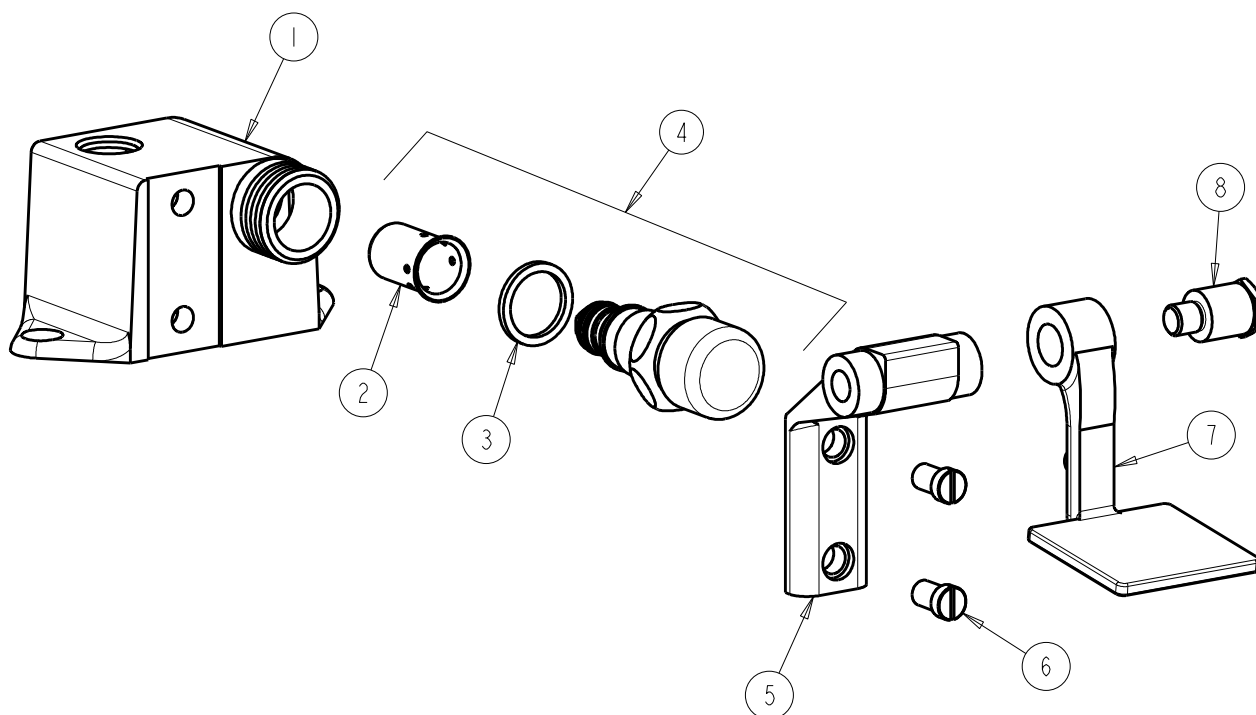
CHK:  REV: 06-21-11

FITTING NO.

**628-CP**

SUBMITTED MODEL NO.

ITEM NO.



| ITEM | PART NO.     | DESCRIPTION                         |
|------|--------------|-------------------------------------|
| 1    | —            | VALVE BODY (NOT SOLD SEPERATELY)    |
| 2    | 333-075JKNF  | DASHPOT                             |
| 3    | 1-043JKNF    | GASKET, CAP 1 X .80 X .09           |
| 4    | 628-XJKNF    | FOR PARTS SEE 628X                  |
| 5    | 625-060JKCP  | BRACKET                             |
| 6    | 625-006JKNF  | SCREW, PAN HEAD 5/16-18 UNC         |
| 7    | 625-258JKNF  | PEDAL                               |
| 8    | 625-061JKRCF | BOLT, SHOULDER 3/8-24 UNF X 5/8 HEX |