

**CHICAGO FAUCETS**  
a Geberit company

2100 South Clearwater Drive  
Des Plaines, IL 60018  
Phone: 847-803-5000  
Fax: 847-803-5454  
www.chicagofaucets.com

**REPAIR PARTS**

FITTING NO.

**625-SLORCF**

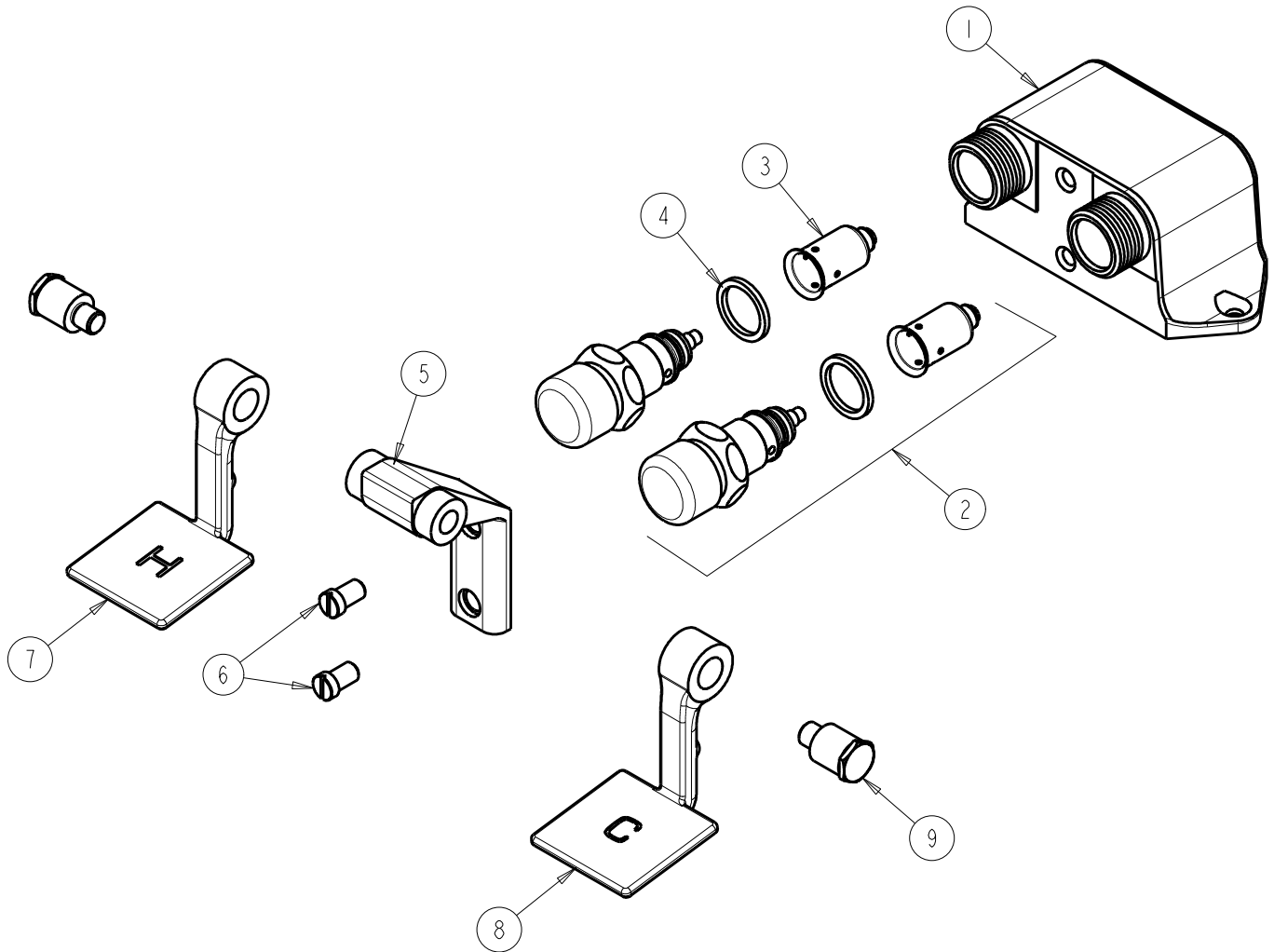
SUBMITTED MODEL NO.

BY: SID DATE: 03-10-09

CHK: *[Signature]* REV: 06-20-11

ITEM NO.

**FOR TECHNICAL ASSISTANCE**  
1-800-TEC-TRUE (1-800-832-8783)



ITEM	PART NO.	DESCRIPTION	ITEM	PART NO.	DESCRIPTION
1	—	VALVE BODY (NOT SOLD SEPARATELY)	6	625-006JKNF	SCREW, PAN HEAD 5/16-18 UNC
2	628-XSLOJKNF	FOR PARTS SEE 628-XSLOJKNF	7	625-058JKNF	PEDAL, HOT
3	333-073KJKNF	DASHPOT, SLOW	8	625-158JKNF	PEDAL, COLD
4	1-043JKNF	GASKET, CAP 1 X .80 X .09	9	625-061JKRCF	BOLT, SHOULDER 3/8-24 UNF X 5/8 HEX
5	625-060JKRCF	BRACKET			