

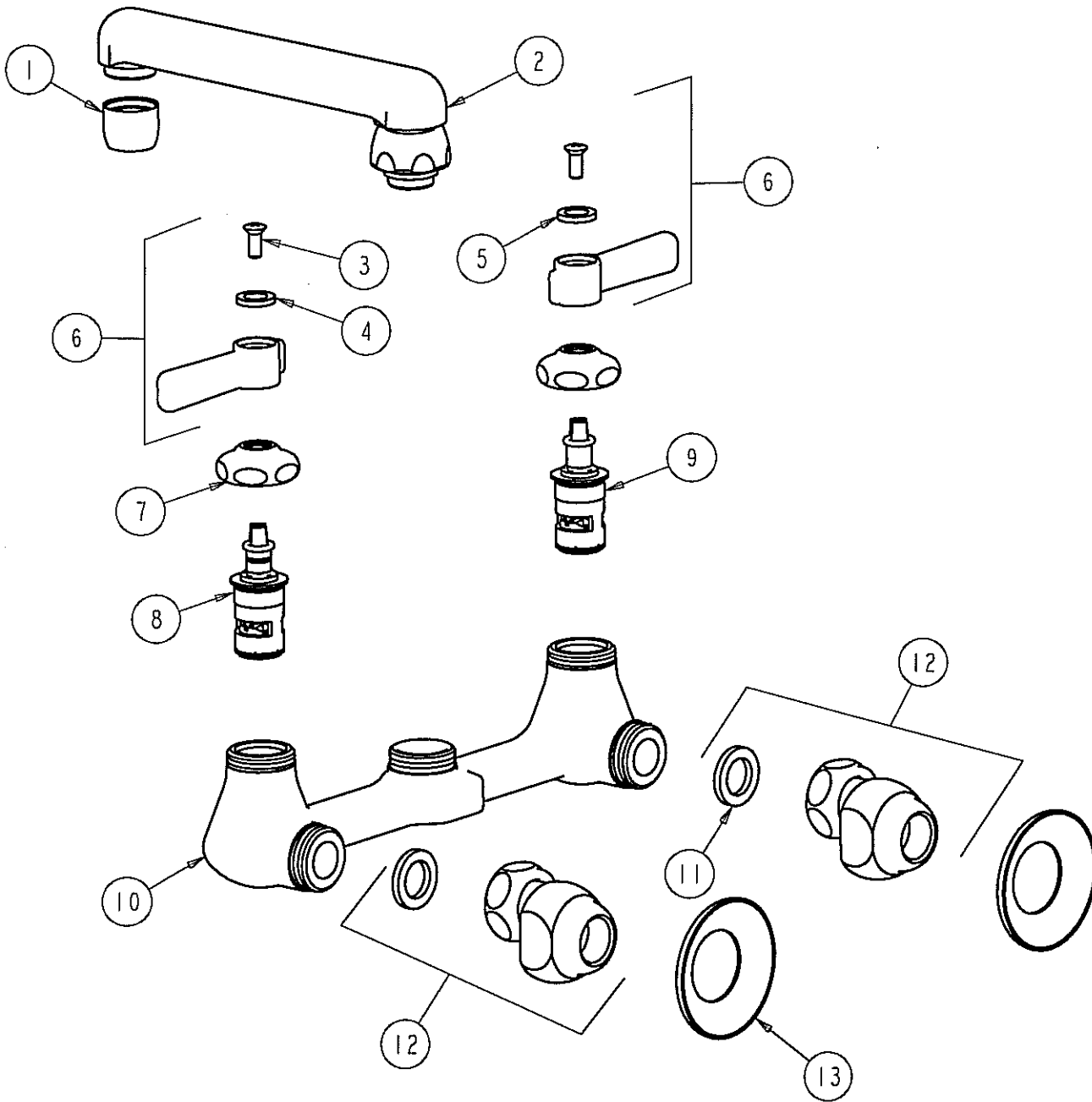
# PARTS LIST

BY: SID  
CHK'D: *SLD*

**CHICAGO FAUCETS**  
Last As Long As The Building

FINISH: AS SPECIFIED  
DATE: 10-03-02

540-LDXK



ITEM NO.	PART NO.	DESCRIPTION	ITEM NO.	PART NO.	DESCRIPTION
1	E3	SOFTFLO OUTLET	8	1-099XK	RH CERAMIC QUATURN UNIT
2	S6	FOR PARTS SEE S6 INCLUDES E3	9	1-100XK	LH CERAMIC QUATURN UNIT
3	420-010	SCREW	10	-----	VALVE BODY (NOT SOLD SEPARATELY)
4	633-123	INDEX BUTTON (BLUE)	11	1-011	WASHER
5	633-023	INDEX BUTTON (RED)	12	'G'	ARM ASSEMBLY WITH WASHER
6	369PR	LEVER HANDLE ASSEMBLY	13	1-055	FLANGE
7	1-214	CAP			