

CHICAGO FAUCETS
a Geberit company

2100 South Clearwater Drive
Des Plaines, IL 60018
Phone: 847-803-5000
Fax: 847-803-5454
www.chicagofaucets.com

REPAIR PARTS

FITTING NO.

540-LDLESSSPTABCP

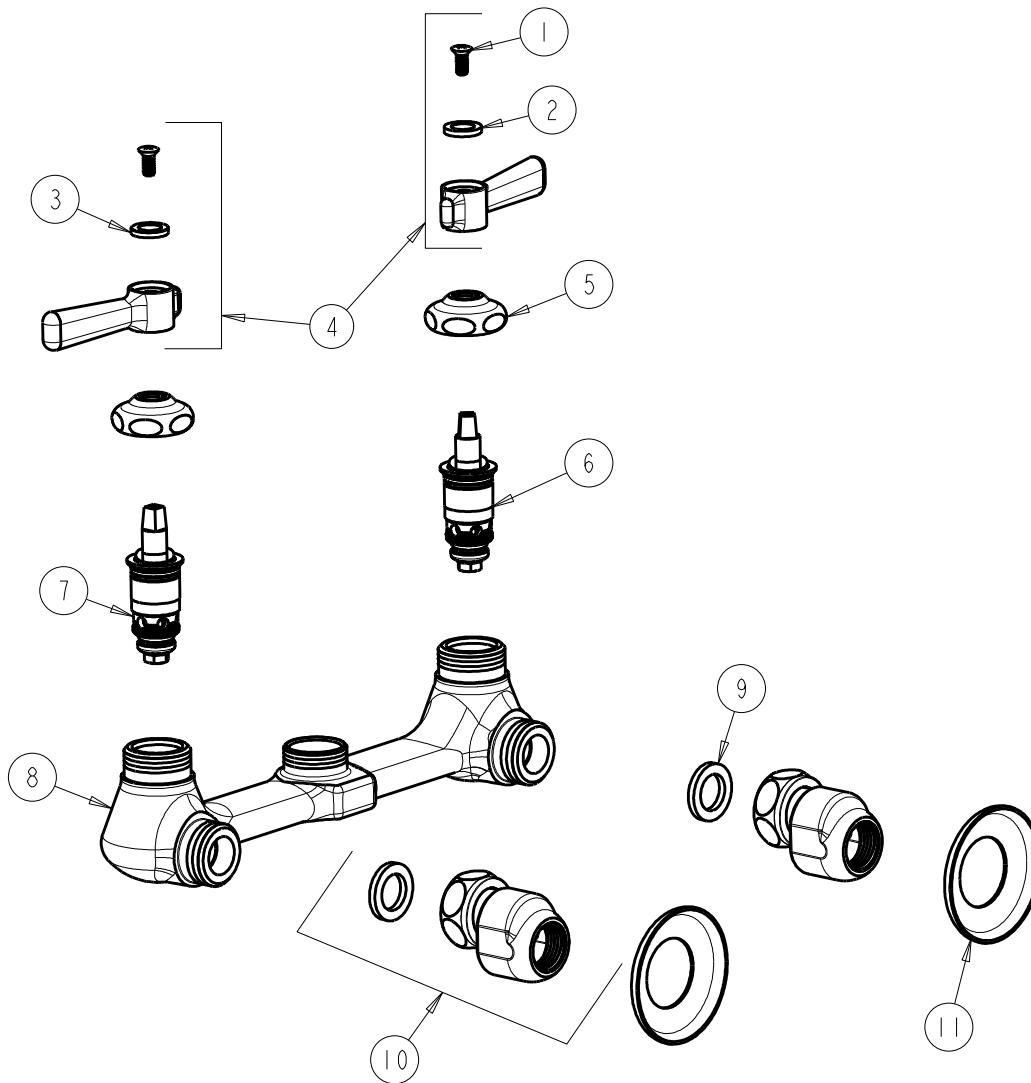
SUBMITTED MODEL NO.

BY: JAR DATE: 10-03-11

CHK: *[Signature]* REV:

ITEM NO.

FOR TECHNICAL ASSISTANCE
1-800-TEC-TRUE (1-800-832-8783)



ITEM	PART NO.	DESCRIPTION	ITEM	PART NO.	DESCRIPTION
1	420-010JKRCF	SCREW, 10-32 UNC PH 1/2	7	1-099XTJKABNF	QUATURN CARTRIDGE (RH)
2	633-023JKNF	INDEX BUTTON (RED)	8	---	VALVE BODY (NOT SOLD SEPARATELY)
3	633-123JKNF	INDEX BUTTON (BLUE)	9	1-011JKNF	WASHER, .97 X .62 X .12
4	369-PRJKCP	LEVER HANDLE ASSEMBLY (PAIR)	10	GJKABCP	ARM ASSEMBLY WITH WASHER
5	1-214JKCP	CAP	11	1-055JKCP	FLANGE
6	1-100XTJKABNF	QUATURN UNIT (LH)			