

**CHICAGO FAUCETS**  
a Geberit company

2100 South Clearwater Drive  
Des Plaines, IL 60018  
Phone: 847-803-5000  
Fax: 847-803-5454  
www.chicagofaucets.com

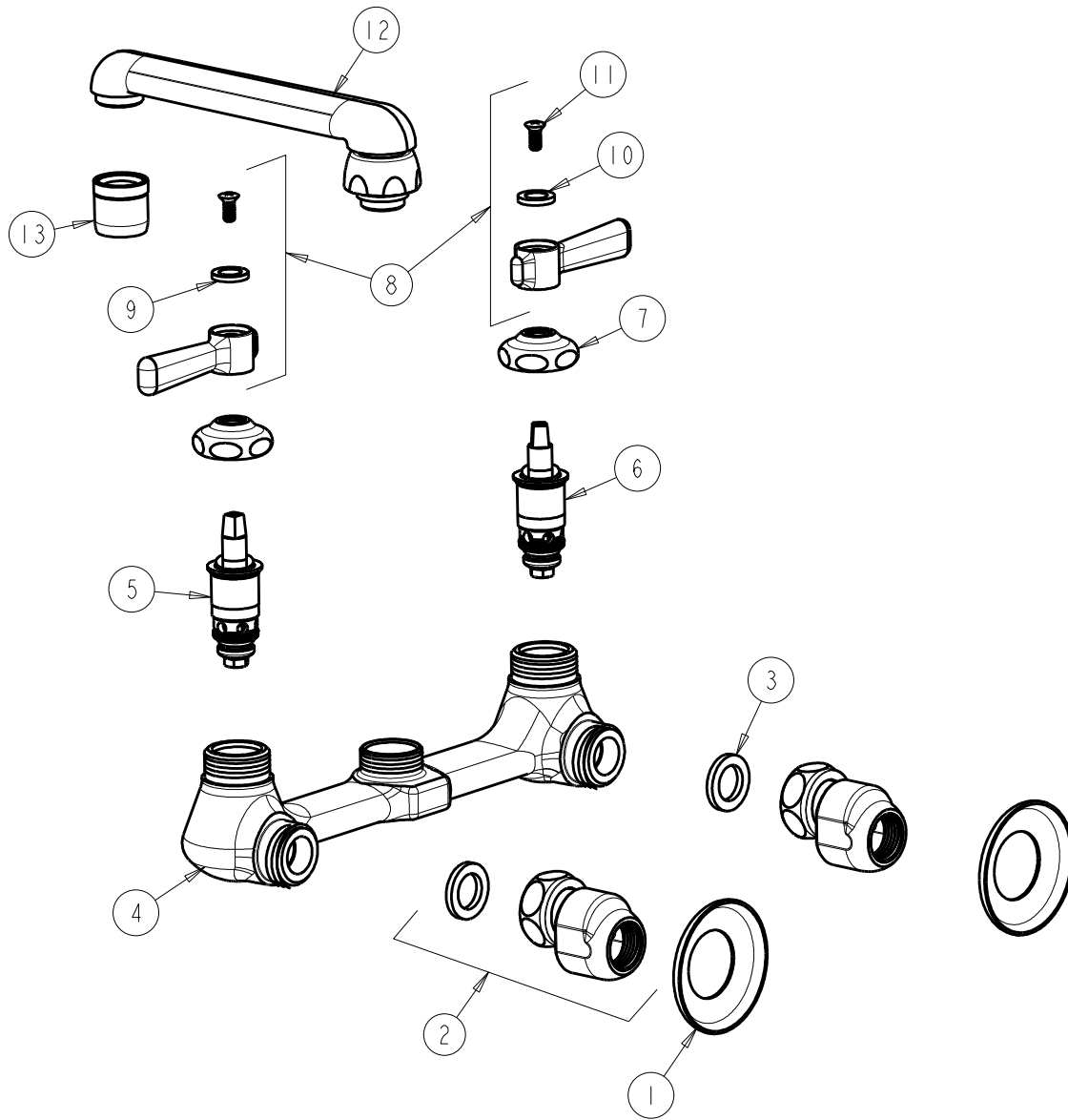
**REPAIR PARTS**

BY: JAR DATE: 10-12-11  
CHK: *JAR* REV:

FITTING NO.  
**540-LDE29CP**  
SUBMITTED MODEL NO.

**FOR TECHNICAL ASSISTANCE**  
1-800-TEC-TRUE (1-800-832-8783)

ITEM NO.



ITEM	PART NO.	DESCRIPTION	ITEM	PART NO.	DESCRIPTION
1	1-055JKCP	FLANGE	8	369-PRJKCP	LEVER HANDLE ASSEMBLY (PAIR)
2	GJKABCP	ARM ASSEMBLY w/WASHER	9	633-123JKNF	INDEX BUTTON (BLUE)
3	1-011JKNF	WASHER, .97 X .62 X .12	10	633-023JKNF	INDEX BUTTON (RED)
4	---	VALVE BODY (NOT SOLD SEPARATELY)	11	420-010JKRCF	SCREW, 10-32 UNC PH 1/2
5	1-099XTJKNF	QUATURN CARTRIDGE (RH)	12	S6LESSE3JKCP	SPOUT
6	1-100XTJKNF	QUATURN CARTRIDGE (LH)	13	E29JKCP	LAM-A-FLO OUTLET
7	1-214JKCP	CAP			