

CHICAGO FAUCETS
a Geberit company

2100 South Clearwater Drive
Des Plaines, IL 60018
Phone: 847-803-5000
Fax: 847-803-5454
www.chicagofaucets.com

REPAIR PARTS

FITTING NO.

527-GN2A317CP

SUBMITTED MODEL NO.

BY: JAR

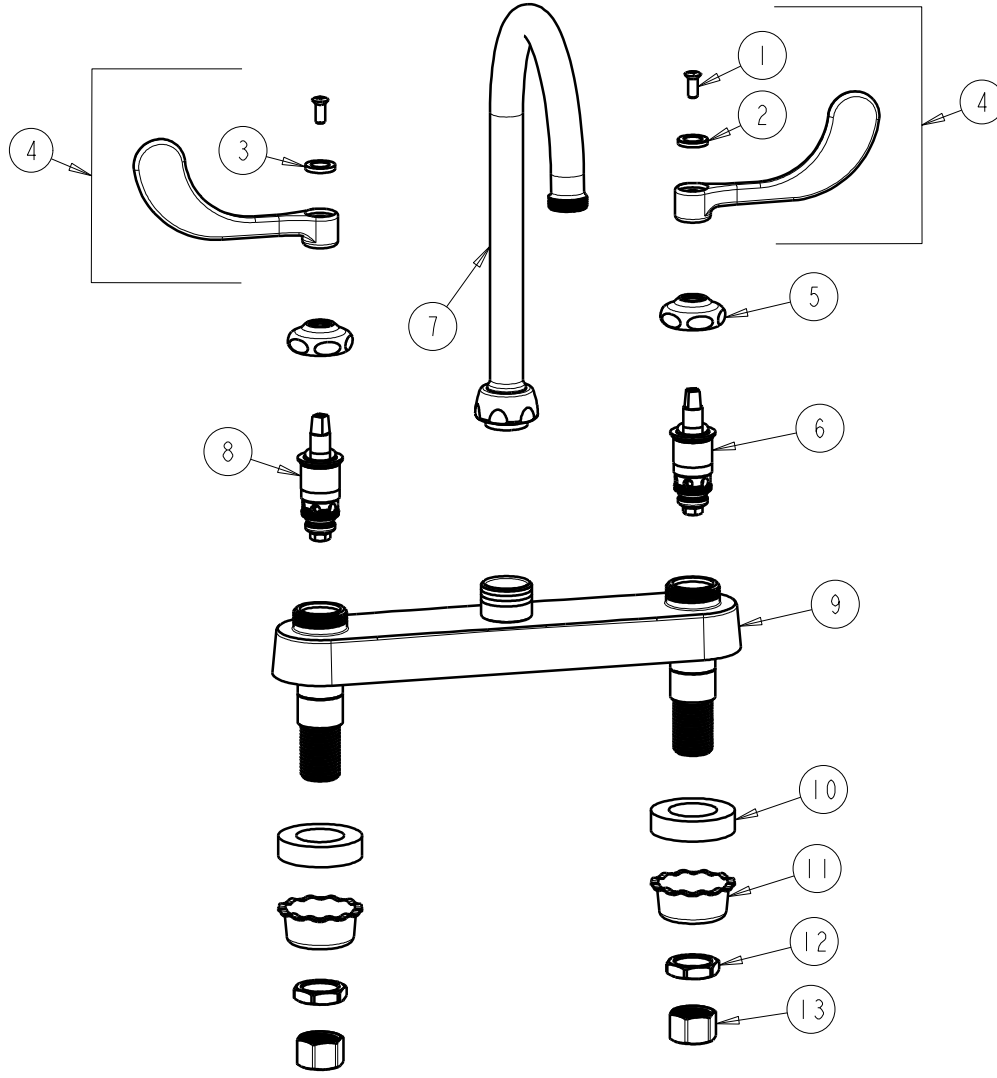
DATE: 04-29-09

CHK: *JAR*

REV:

ITEM NO.

FOR TECHNICAL ASSISTANCE
1-800-TEC-TRUE (1-800-832-8783)



ITEM	PART NO.	DESCRIPTION
1	420-010JKRCF	SCREW, 10-32 UNC PH 1/2
2	633-123JKNF	INDEX BUTTON (BLUE)
3	633-023JKNF	INDEX BUTTON (RED)
4	317-PRJKCP	HANDLE, 4" WRISTBLADE (PAIR)
5	1-214JKCP	CAP
6	1-099XTJKNF	QUATURN UNIT (RH)
7	GN2AJKCP	FOR PARTS SEE GN2AJKCP
8	1-100XTJKNF	QUATURN UNIT (LH)
9	—	VALVE BODY (NOT SOLD SEPARATELY)
10	555-313JKNF	WASHER
11	1797-114JKNF	BASIN COCK WASHER
12	49-004JKRBF	LOCKNUT
13	49-005JKRBF	COUPLING NUT