

CHICAGO FAUCETS
a Geberit company

2100 South Clearwater Drive
Des Plaines, IL 60018
Phone: 847-803-5000
Fax: 847-803-5454
www.chicagofaucets.com

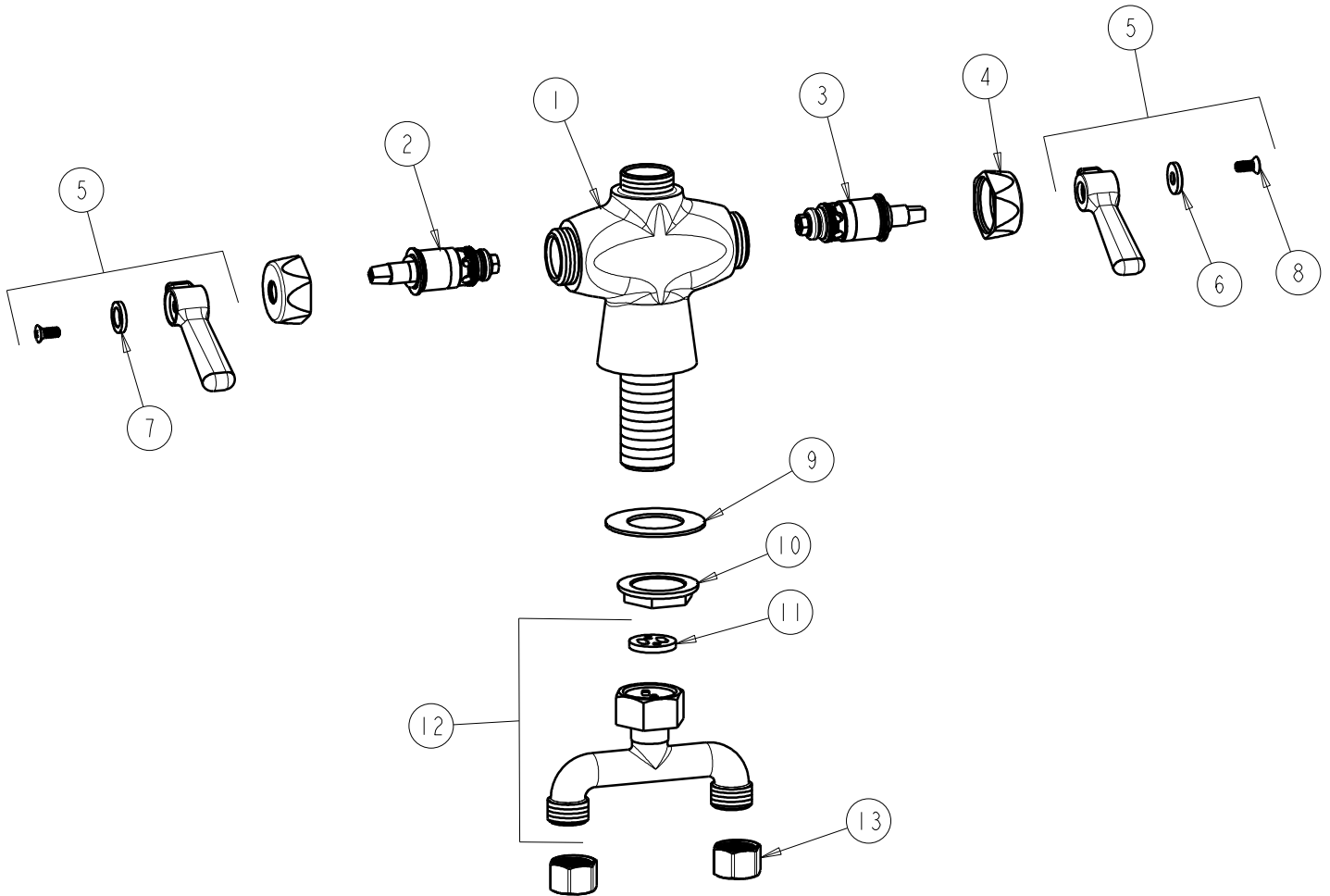
REPAIR PARTS

BY: SID DATE: 10-28-09
CHK: *[Signature]* REV:

FITTING NO.
50-TLESSSPTCP
SUBMITTED MODEL NO.

FOR TECHNICAL ASSISTANCE
1-800-TEC-TRUE (1-800-832-8783)

ITEM NO.



ITEM	PART NO.	DESCRIPTION	ITEM	PART NO.	DESCRIPTION
1	—	VALVE BODY (NOT SOLD SEPARATELY)	8	420-010JKRCF	SCREW, 10-32 UNC PH 1/2
2	1-100XTJKNF	QUATURN UNIT (LH)	9	50-014JKNF	STEEL WASHER
3	1-099XTJKNF	QUATURN UNIT (RH)	10	50-003JKRBF	LOCKNUT
4	444-005JKCP	CAP	11	50-008JKNF	RUBBER WASHER
5	369-PRJKCP	LEVER HANDLE ASSEMBLY (PAIR)	12	50-010JKRBF	CONNECTION ASSEMBLY
6	633-123JKNF	INDEX BUTTON (BLUE)	13	49-005JKRBF	COUPLING NUT
7	633-023JKNF	INDEX BUTTON (RED)			