

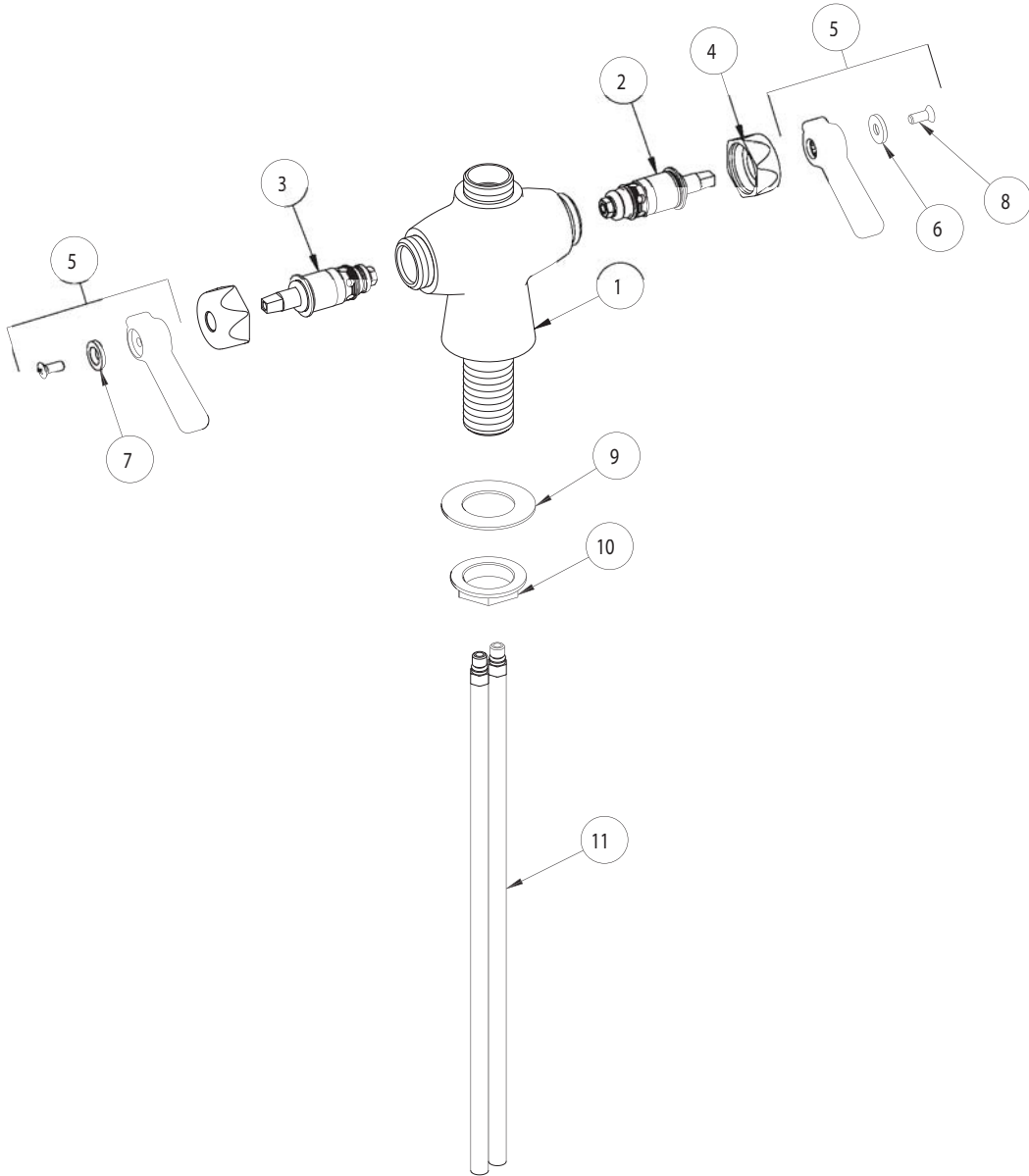
PARTS LIST

BY: JAR
CHK'D:



FINISH: AS SPECIFIED
DATE: 8-20-01

50-LESSSPT



ITEM NO.	PART NO.	DESCRIPTION	ITEM NO.	PART NO.	DESCRIPTION
1	-----	VALVE BODY (NOT SOLD SEPARATELY)	7	633-023	INDEX BUTTON (RED)
2	1-099XT	QUATURN UNIT (RH)	8	420-010	INDEX BUTTON (RED)
3	1-100XT	QUATURN UNIT (LH)	9	50-014	STEEL WASHER
4	444-005	CAP NUT	10	50-003	LOCKNUT
5	369PR	LEVER HANDLE ASSEMBLY	11	50-101K	SUPPLY TUBE ASSEMBLY
6	633-123	INDEX BUTTON (BLUE)			