

CHICAGO FAUCETS
a Geberit company

2100 South Clearwater Drive
Des Plaines, IL 60018
Phone: 847-803-5000
Fax: 847-803-5454
www.chicagofaucets.com

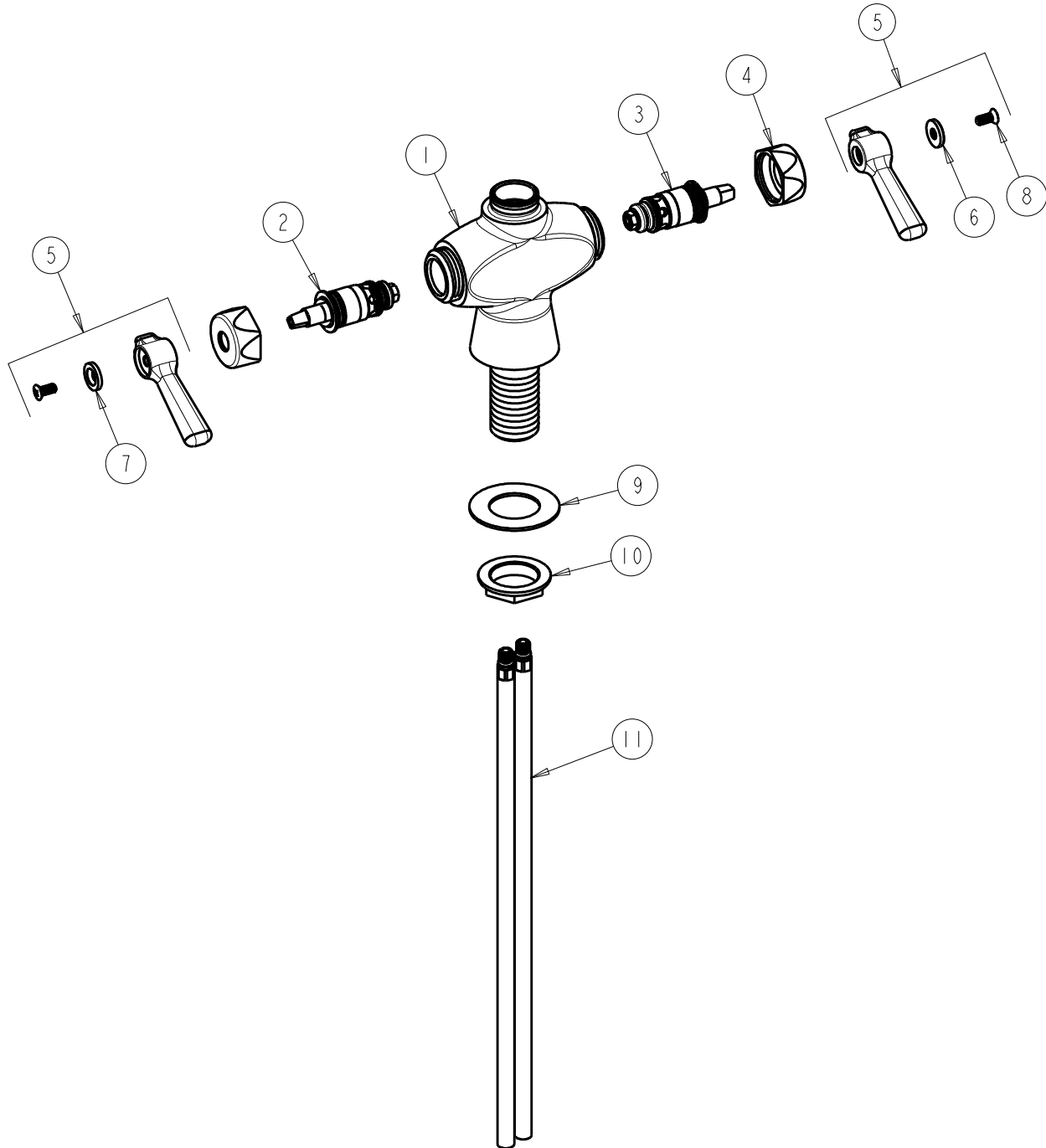
REPAIR PARTS

FITTING NO.
50-LESSSPTABCP
SUBMITTED MODEL NO.

FOR TECHNICAL ASSISTANCE
1-800-TEC-TRUE (1-800-832-8783)

BY: SID DATE: 06-01-12
CHK: *[Signature]* REV:

ITEM NO.



ITEM	PART NO.	DESCRIPTION	ITEM	PART NO.	DESCRIPTION
1	-----	VALVE BODY (NOT SOLD SEPARATELY)	7	633-023JKNF	INDEX BUTTON (RED)
2	1-100XTJKABNF	QUATURN CARTRIDGE (LH)	8	420-010JKRCF	SCREW, 10-32 UNC PH 1/2
3	1-099XTJKABNF	QUATURN CARTRIDGE (RH)	9	50-014JKNF	STEEL WASHER
4	444-005JKCP	CAP	10	50-003JKRBF	LOCKNUT
5	369-PRJKCP	LEVER HANDLE ASSEMBLY (PAIR)	11	50-101KJKNF	SUPPLY TUBE ASSEMBLY
6	633-123JKNF	INDEX BUTTON (BLUE)			