

**CHICAGO FAUCETS**  
a Geberit company

2100 South Clearwater Drive  
Des Plaines, IL 60018  
Phone: 847-803-5000  
Fax: 847-803-5454  
www.chicagofaucets.com

**REPAIR PARTS**

FITTING NO.

**50-L9-317XKCP**

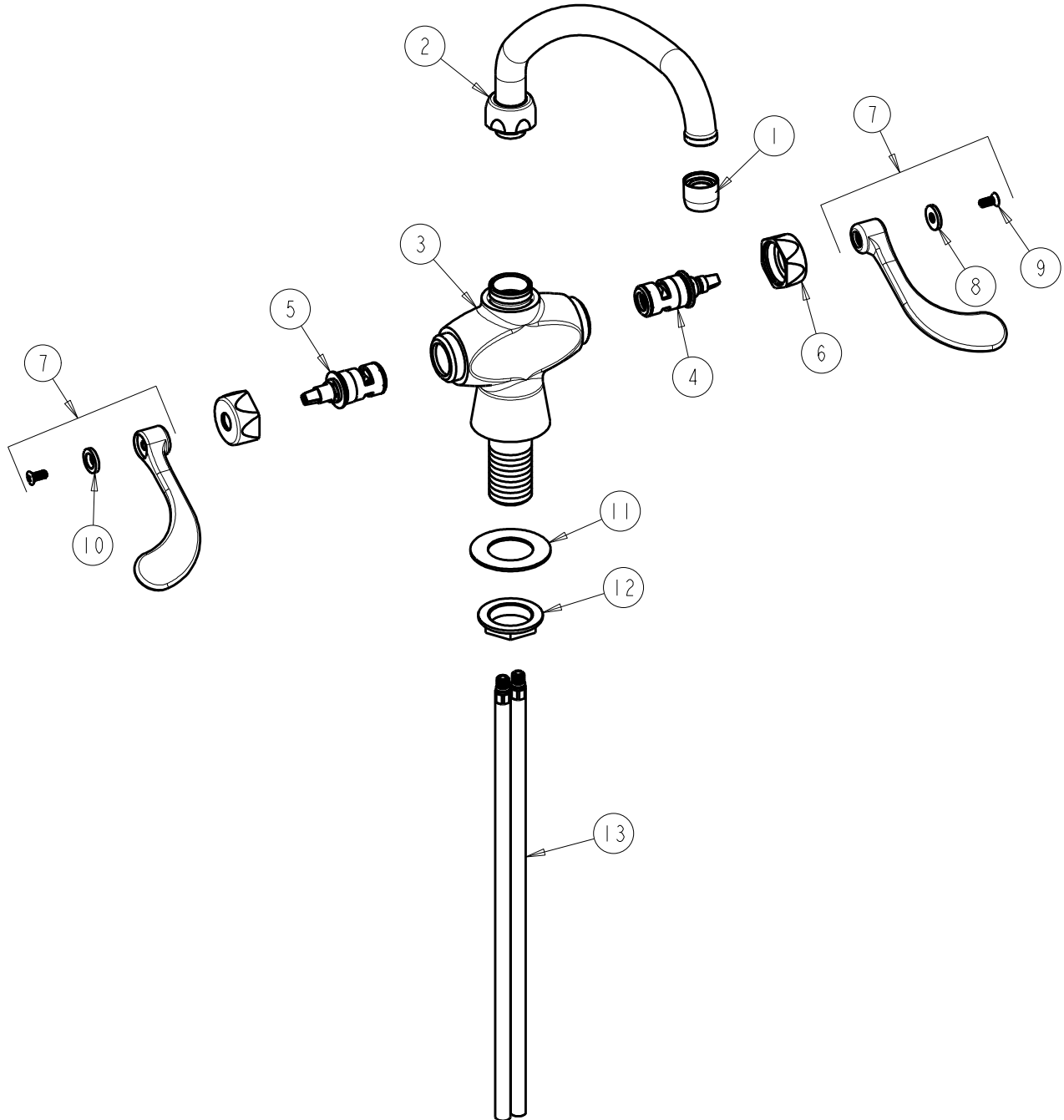
SUBMITTED MODEL NO.

ITEM NO.

**FOR TECHNICAL ASSISTANCE**  
1-800-TEC-TRUE (1-800-832-8783)

BY: SID DATE: 05-22-12

CHK: *[Signature]* REV:



| ITEM | PART NO.     | DESCRIPTION                      | ITEM | PART NO.     | DESCRIPTION             |
|------|--------------|----------------------------------|------|--------------|-------------------------|
| 1    | E3JKCP       | SOFTFLO AERATOR 2.2 GPM          | 8    | 633-123JKNF  | INDEX BUTTON (BLUE)     |
| 2    | L9LESSE3JKCP | SPOUT                            | 9    | 420-010JKRCF | SCREW, 10-32 UNC PH 1/2 |
| 3    | -----        | VALVE BODY (NOT SOLD SEPARATELY) | 10   | 633-023JKNF  | INDEX BUTTON (RED)      |
| 4    | 1-099XKJKNF  | RH CERAMIC QUATURN UNIT          | 11   | 50-014JKNF   | STEEL WASHER            |
| 5    | 1-100XKJKNF  | LH CERAMIC QUATURN UNIT          | 12   | 50-003JKRBF  | LOCKNUT                 |
| 6    | 444-005JKCP  | CAP                              | 13   | 50-101KJKNF  | SUPPLY TUBE ASSEMBLY    |
| 7    | 317-PRJKCP   | HANDLE, 4" WRISTBLADE (PAIR)     |      |              |                         |