

REPAIR PARTS

BY: SID DATE: 10-09-09
CHK: *[Signature]* REV:

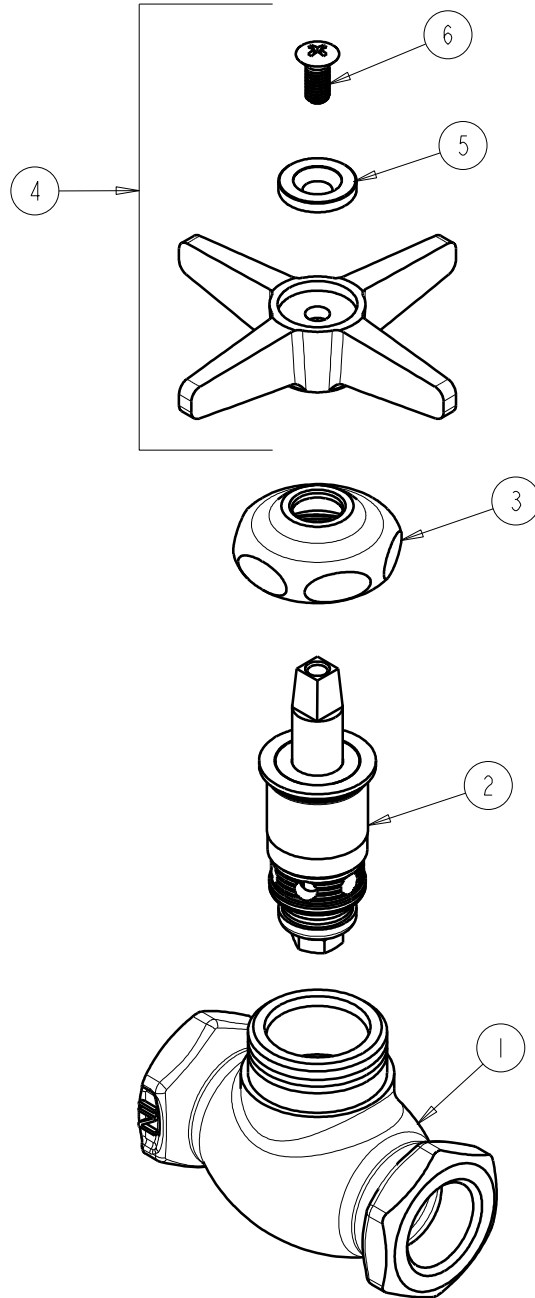
FITTING NO.

45-COLD CP

SUBMITTED MODEL NO.

ITEM NO.

FOR TECHNICAL ASSISTANCE
1-800-TEC-TRUE (1-800-832-8783)



ITEM	PART NO.	DESCRIPTION
1	—	BODY (NOT SOLD SEPARATELY)
2	217-XTLHJKNF	CARTRIDGE, SLO-COMPRESSION
3	1-214JKCP	CAP
4	633-COLDJKCP	4-ARM CROSS HANDLE ASSEMBLY
5	633-123JKNF	INDEX BUTTON (BLUE)
6	420-010JKRCF	SCREW, 10-32 UNC PH 1/2