



a Geberit company

2100 South Clearwater Drive
Des Plaines, IL 60018
Phone: 847-803-5000
Fax: 847-803-5454
www.chicagofaucets.com

REPAIR PARTS

BY: SID DATE: 10-05-09

CHK: *[Signature]* REV:

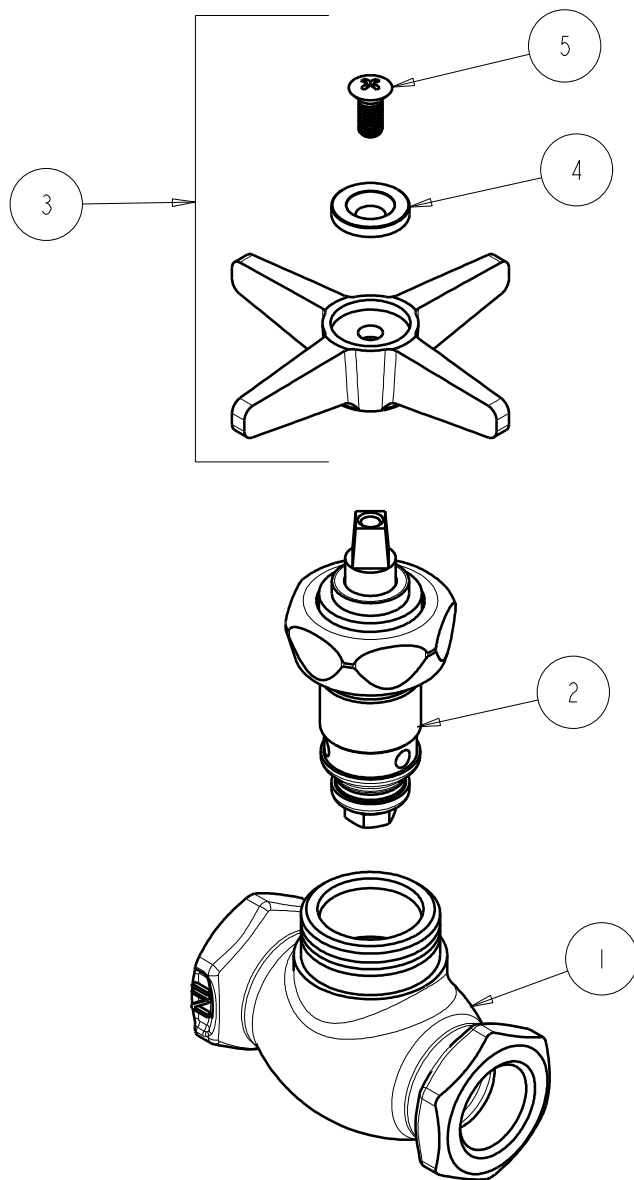
FITTING NO.

45-244COLD CP

SUBMITTED MODEL NO.

ITEM NO.

FOR TECHNICAL ASSISTANCE
1-800-TEC-TRUE (1-800-832-8783)



ITEM	PART NO.	DESCRIPTION
1	—	BODY (NOT SOLD SEPARATELY)
2	826-XJKNF	KLO-SELF CARTRIDGE
3	634-COLDJKCP	4-ARM CROSS HANDLE ASSEMBLY
4	633-123JKNF	INDEX BUTTON (BLUE)
5	420-010JKRCF	SCREW, 10-32 UNC PH 1/2