

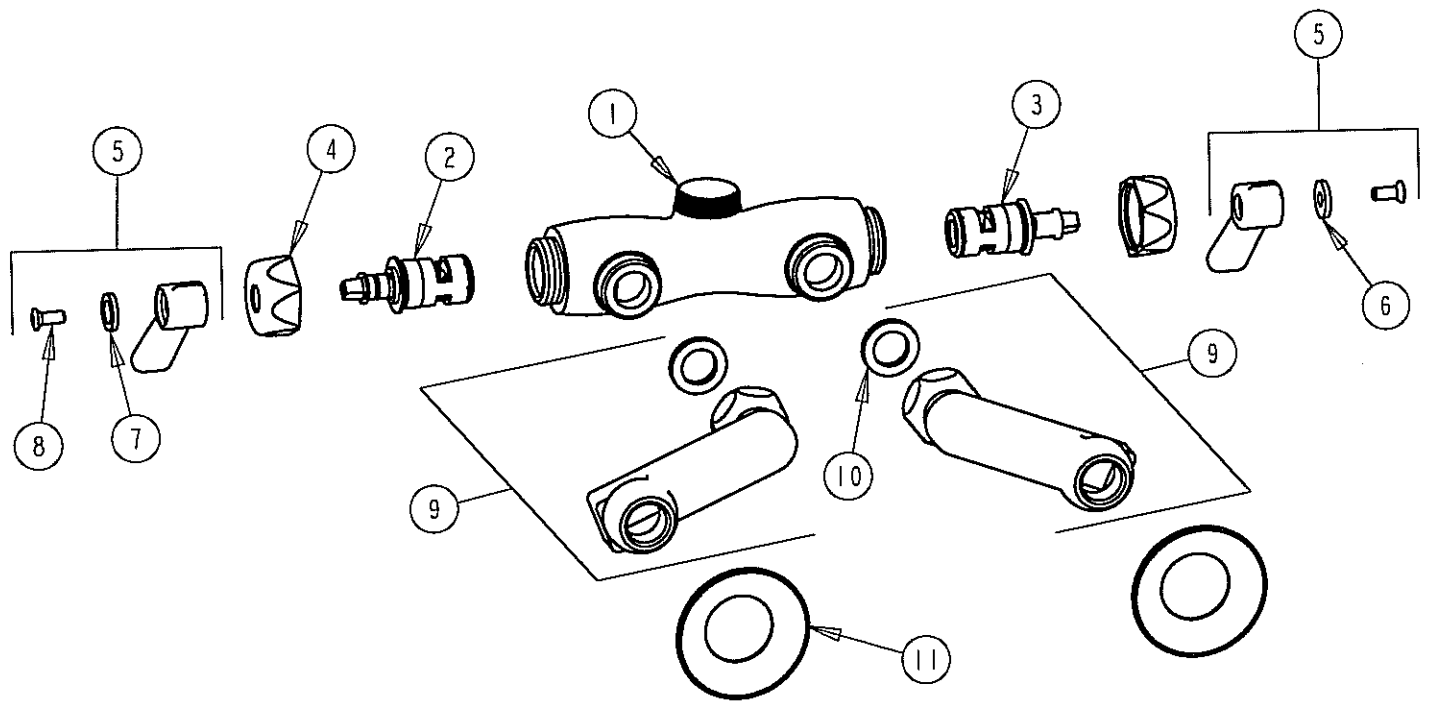
PARTS LIST

BY: SID
CHK'D: SID



FINISH: AS SPECIFIED
DATE: 10-01-02

445-LESSSPTXK



ITEM NO.	PART NO.	DESCRIPTION	ITEM NO.	PART NO.	DESCRIPTION
1	-----	VALVE BODY (NOT SOLD SEPARATELY)	8	420-010	SCREW
2	1-099XK	RH CERAMIC QUATURN UNIT	9	H	'H' ARM ASSEMBLY w/WASHER
3	1-100XK	LH CERAMIC QUATURN UNIT	10	1-011	WASHER
4	444-005	CAP NUT	11	1-055	FLANGE
5	369PR	LEVER HANDLE ASSEMBLY			
6	633-023	INDEX BUTTON (RED)			
7	633-123	INDEX BUTTON (BLUE)			