

CHICAGO FAUCETS
a Geberit company

2100 South Clearwater Drive
Des Plaines, IL 60018
Phone: 847-803-5000
Fax: 847-803-5454
www.chicagofaucets.com

REPAIR PARTS

FITTING NO.

445-LESSSPTLESSHDLCP

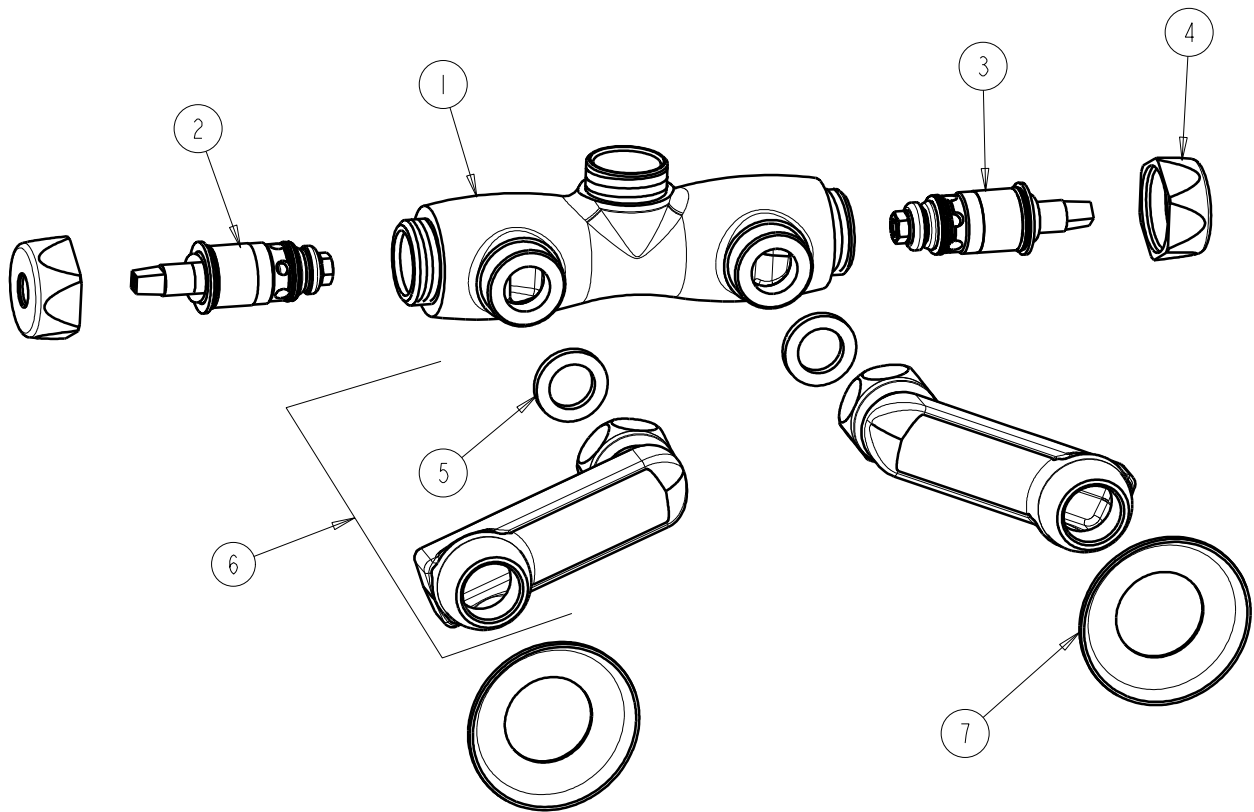
SUBMITTED MODEL NO.

ITEM NO.

BY: SID DATE: 10-05-09

CHK: *[Signature]* REV:

FOR TECHNICAL ASSISTANCE
1-800-TEC-TRUE (1-800-832-8783)



ITEM	PART NO.	DESCRIPTION	ITEM	PART NO.	DESCRIPTION
1	—	VALVE BODY (NOT SOLD SEPARATELY)	5	1-011JKNF	WASHER, .97 X .62 X .12
2	1-099XTJKNF	QUATURN UNIT (RH)	6	HJKCP	'H' ARM ASSEMBLY w/WASHER
3	1-100XTJKNF	QUATURN UNIT (LH)	7	1-055JKCP	FLANGE
4	444-005JKCP	CAP			