

PARTS LIST

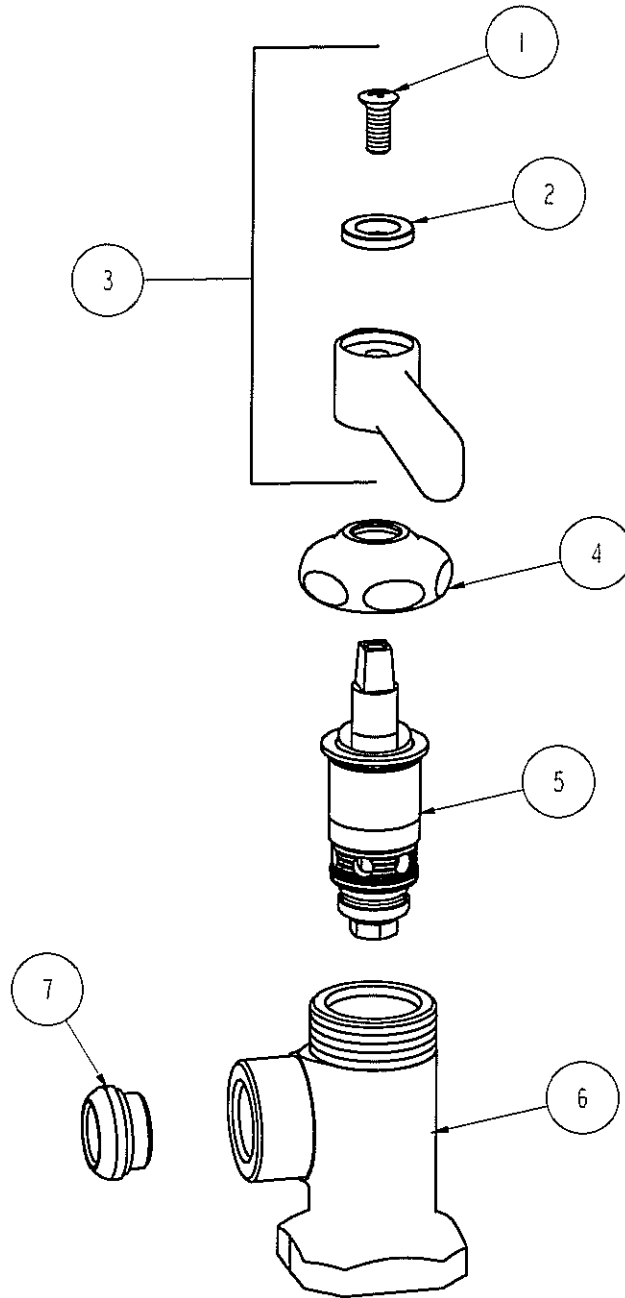
BY: SID
CHK'D: *AT*



FINISH: AS SPECIFIED
DATE: 02-09-06

442-369EIM

REV:



ITEM NO.	PART NO.	DESCRIPTION
1	420-010	SCREW
2	633-223	INDEX BUTTON (WHITE)
3	369-PL	PLAIN LEVER HANDLE
4	1-214	CAP
5	217XTLH	SLO-COMPRESSION UNIT (LH)
6	-----	VALVE BODY (NOT SOLD SEPARATELY)
7	EIM	QUIXTOP OUTLET