

**CHICAGO FAUCETS** 

a Geberit company

2100 South Clearwater Drive  
Des Plaines, IL 60018  
Phone: 847-803-5000  
Fax: 847-803-5454  
www.chicagofaucets.com

**REPAIR PARTS**

BY: SID DATE: 01-04-11

CHK: *[Signature]* REV:

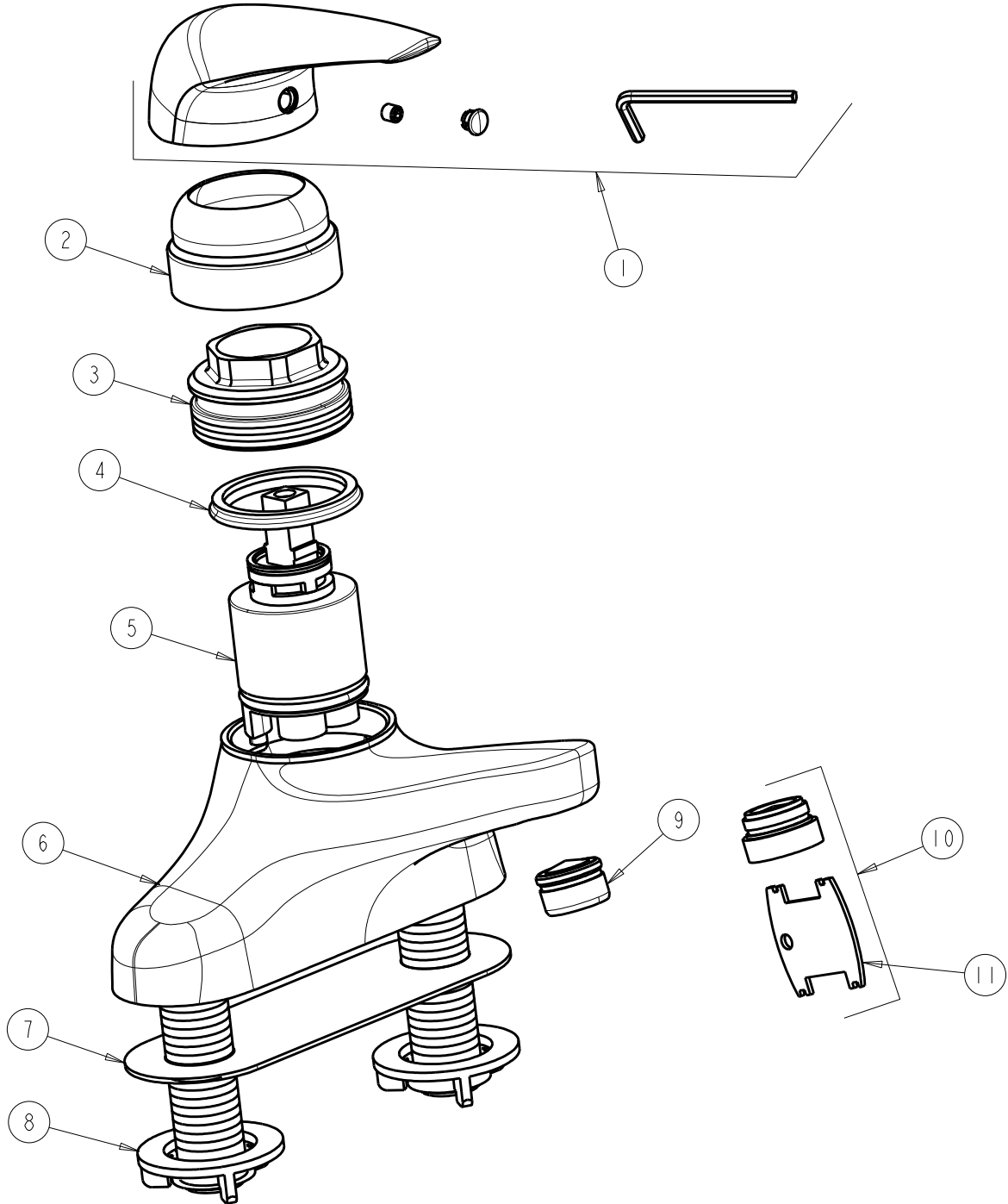
FITTING NO.

**420-E2805CP**

SUBMITTED MODEL NO.

ITEM NO.

**FOR TECHNICAL ASSISTANCE**  
1-800-TEC-TRUE (1-800-832-8783)



ITEM	PART NO.	DESCRIPTION	ITEM	PART NO.	DESCRIPTION
1	420-030KJKCP	HANDLE ASSEMBLY KIT	7	---	GASKET
2	---	COVER	8	---	LOCKNUT
3	---	RETAINER	9	E37JKCP	E37 LAMINAR FLOW OUTLET
4	---	U-WASHER	10	E2805JKCP	VP ECONOFLO SPRAY OUTLET w/KEY
5	420-XJKNF	CERAMIC DISC CARTRIDGE	11	3-024JKRCF	KEY, VP
6	---	BODY			