

CHICAGO FAUCETS
a Geberit company

2100 South Clearwater Drive
Des Plaines, IL 60018
Phone: 847-803-5000
Fax: 847-803-5454
www.chicagofaucets.com

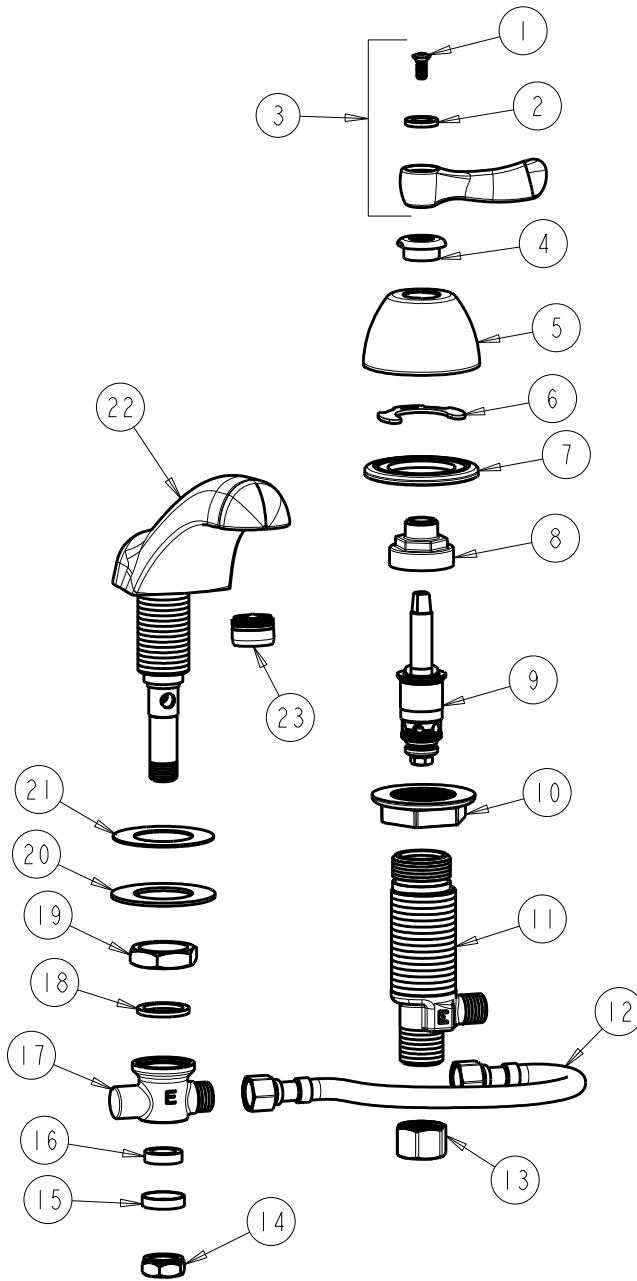
REPAIR PARTS

BY: SID DATE: 07-07-11
CHK: REV:

FITTING NO.
404-HZCWCP
SUBMITTED MODEL NO.

ITEM NO.

FOR TECHNICAL ASSISTANCE
1-800-TEC-TRUE (1-800-832-8783)



ITEM	PART NO.	DESCRIPTION	ITEM	PART NO.	DESCRIPTION
1	420-010JKRCF	SCREW, 10-32 UNC PH 1/2	13	49-005JKRBF	COUPLING NUT
2	633-123JKNF	INDEX BUTTON (BLUE)	14	689-013JKRBF	LOCKNUT FOR LAVATORY FITTINGS
3	390-COLDJKCP	LEVER HANDLE ASSEMBLY	15	250-087JKRBF	RETAINER
4	422-113JKCP	ESCUTCHEON NUT	16	1797-029JKNF	RUBBER WASHER
5	250-082JKCP	ESCUTCHEON	17	785-113JKRBF	TEE CONNECTION
6	200-009JKNF	CLIP, RETAIN	18	250-200JKNF	GASKET
7	888-026JKNF	WASHER, SEALING	19	250-054JKRBF	LOCKNUT
8	274-014JKRBF	NUT, CAP	20	50-014JKNF	STEEL WASHER
9	377-XTRHJKNF	RH QUATURN CARTRIDGE	21	739-056JKNF	RUBBER WASHER
10	250-004JKNF	LOCKNUT	22	401-304JKCP	SPOUT ASSEMBLY
11	250-075JKRBF	BODY, VALVE	23	E12JKCP	SOFTFLO OUTLET
12	250-001KJKNF	HOSE, 3/8 X 3/8			