

**CHICAGO FAUCETS**  
a Geberit company

2100 South Clearwater Drive  
Des Plaines, IL 60018  
Phone: 847-803-5000  
Fax: 847-803-5454  
www.chicagofaucets.com

**REPAIR PARTS**

FITTING NO.

**404-HZCW665CP**

SUBMITTED MODEL NO.

BY: SID

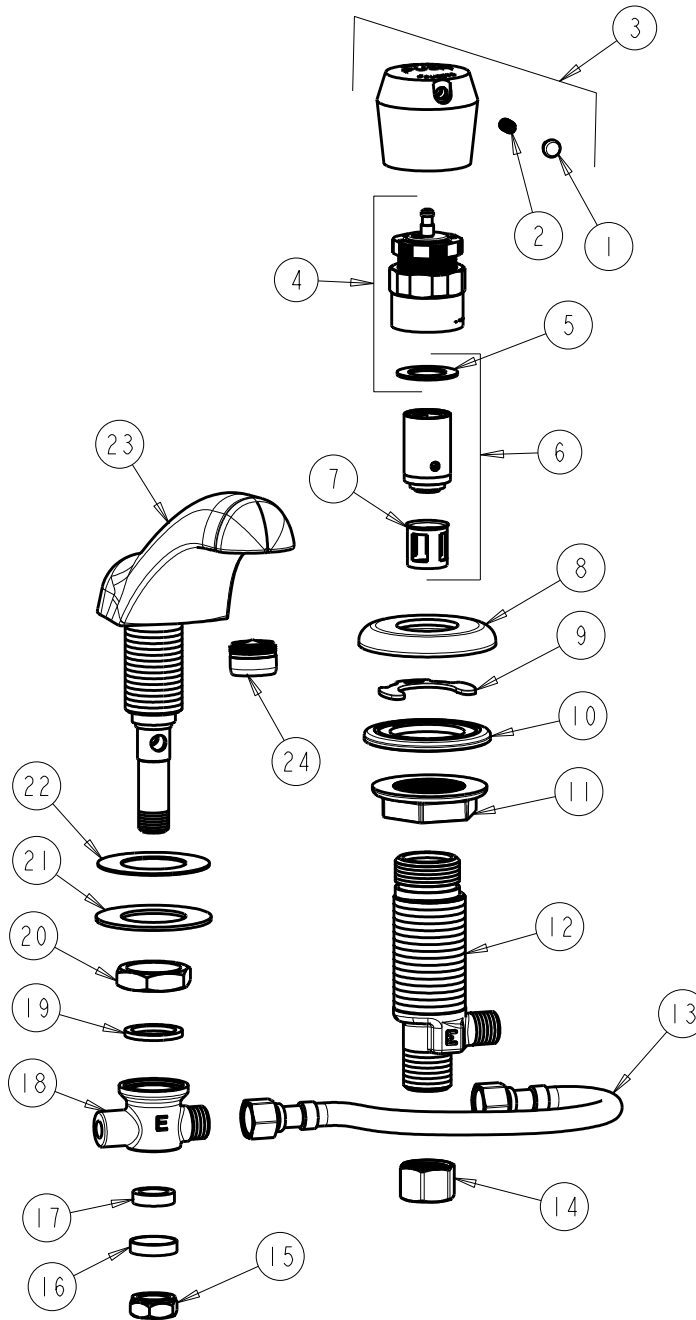
DATE: 07-07-11

CHK:

REV:

ITEM NO.

**FOR TECHNICAL ASSISTANCE**  
**1-800-TEC-TRUE (1-800-832-8783)**



ITEM	PART NO.	DESCRIPTION	ITEM	PART NO.	DESCRIPTION
1	665-309JKNF	BUTTONS, HOT AND COLD	13	250-001KJKNF	HOSE, 3/8 X 3/8
2	665-116JKNF	SET SCREW	14	49-005JKRBF	COUPLING NUT
3	665-PSHJKCP	HANDLE, PUSH CAP	15	689-013JKRBF	LOCKNUT FOR LAVATORY FITTINGS
4	665-190KJKNF	ACTUATOR ASSEMBLY	16	250-087JKRBF	RETAINER
5	665-011JKNF	WASHER, SEALING	17	1797-029JKNF	RUBBER WASHER
6	671-XJKNF	METERING VALVE CARTRIDGE	18	785-113JKRBF	TEE CONNECTION
7	667-402JKNF	MVP FILTER	19	250-200JKNF	GASKET
8	408-005JKCP	ESCUTCHEON	20	250-054JKRBF	LOCKNUT
9	200-009JKNF	CLIP, RETAIN	21	50-014JKNF	STEEL WASHER
10	888-026JKNF	WASHER, SEALING	22	739-056JKNF	RUBBER WASHER
11	250-004JKNF	LOCKNUT	23	401-304KJKCP	SPOUT ASSEMBLY
12	250-075JKRBF	BODY, VALVE	24	E12JKCP	SOFTFLO OUTLET