

**CHICAGO FAUCETS**

a Geberit company

2100 South Clearwater Drive  
Des Plaines, IL 60018  
Phone: 847-803-5000  
Fax: 847-803-5454  
www.chicagofaucets.com

**FOR TECHNICAL ASSISTANCE**  
1-800-TEC-TRUE (1-800-832-8783)

**REPAIR PARTS**

BY: SID DATE: 11-17-11

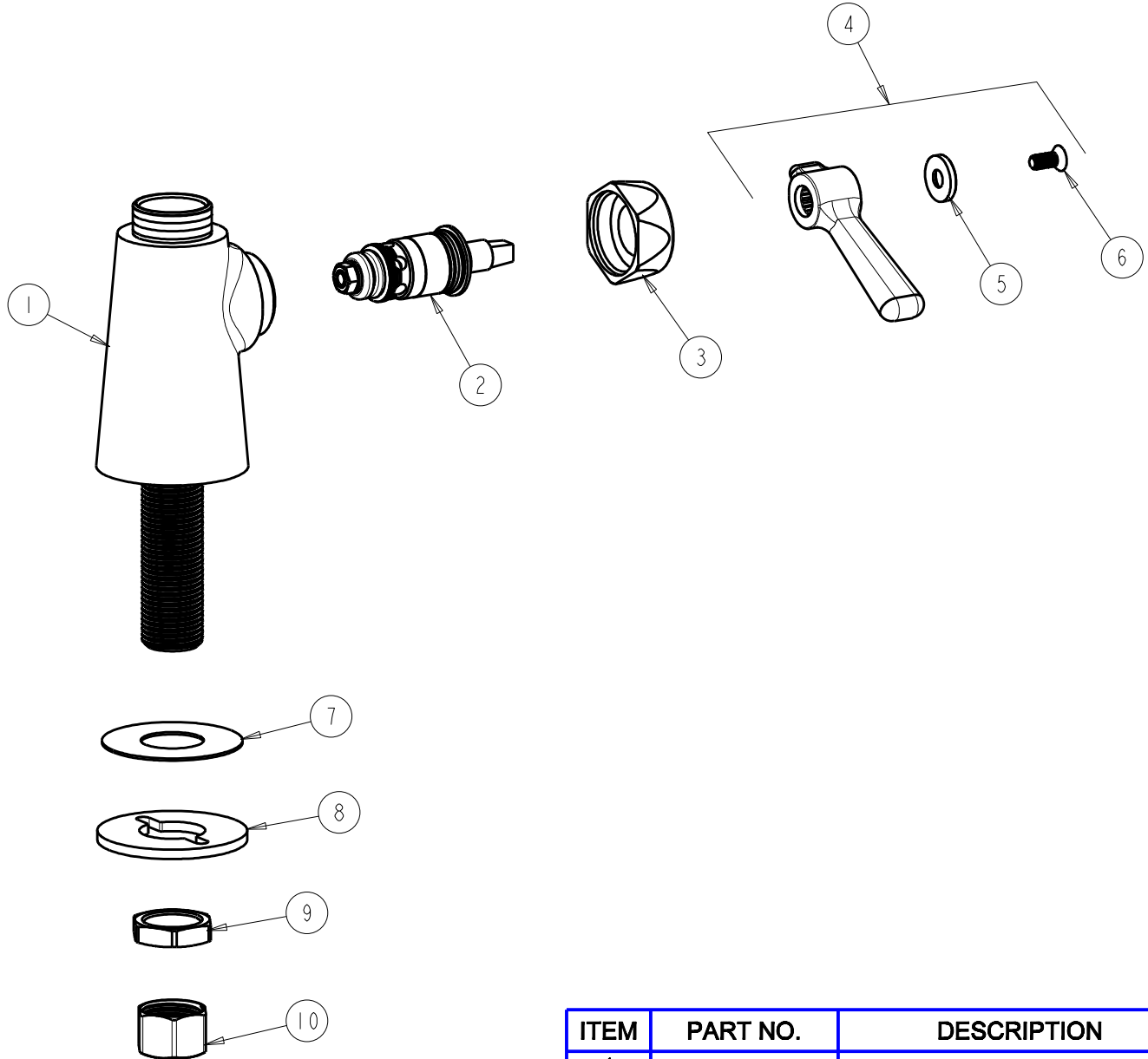
CHK: *[Signature]* REV:

FITTING NO.

**349-LESSSPTABCP**

SUBMITTED MODEL NO.

ITEM NO.



ITEM	PART NO.	DESCRIPTION
1	----	VALVE BODY (NOT SOLD SEPARATELY)
2	1-099XTJKABNF	QUATURN CARTRIDGE (RH)
3	444-005JKCP	CAP
4	369-COLDJKCP	LEVER HANDLE ASSEMBLY
5	633-123JKNF	INDEX BUTTON (BLUE)
6	420-010JKRCF	SCREW, 10-32 UNC PH 1/2
7	52-007JKNF	WASHER, RUBBER
8	807-112JKNF	WASHER
9	49-004JKRBF	LOCKNUT
10	49-005JKRBF	COUPLING NUT