

# PARTS LIST

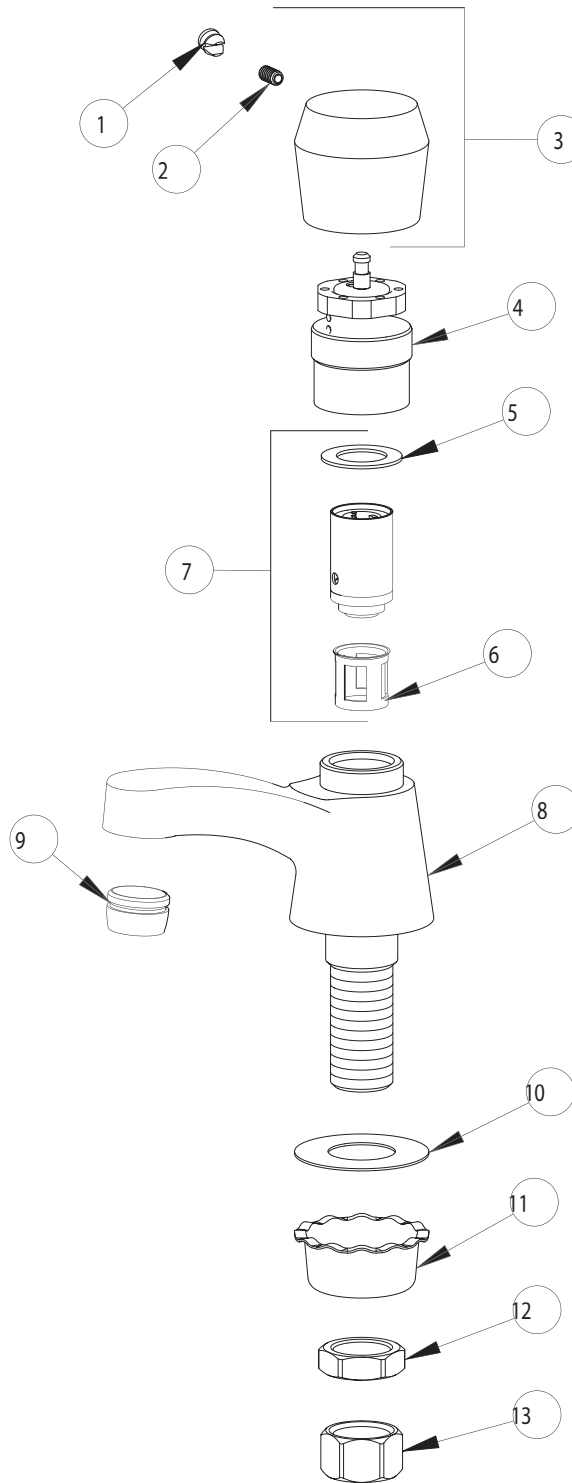
BY: SID  
CHK'D:



FINISH:  
DATE:

AS SPECIFIED  
08-30-01

333-665PSH



ITEM NO.	PART NO.	DESCRIPTION	ITEM NO.	PART NO.	DESCRIPTION
1	665-309K	BUTTONS, HOT AND COLD	8	-----	VALVE BODY NOT SOLD SEPARATELY
2	665-116	SET SCREW	9	E12	SOFTFLO OUTLET
3	665PSH	HANDLE, PUSH	10	333-103	RUBBER WASHER
4	665-190K	ACTUATOR ASSEMBLY	11	1797-114	BASIN COCK WASHER
5	665-011	SEALING WASHER	12	49-004	LOCKNUT
6	667-402	MVP FILTER	13	49-005	COUPLING NUT
7	671-X	METERING VALVE CARTRIDGE			