

**CHICAGO FAUCETS**  
a Geberit company

2100 South Clearwater Drive  
Des Plaines, IL 60018  
Phone: 847-803-5000  
Fax: 847-803-5454  
www.chicagofaucets.com

**REPAIR PARTS**

BY: SID    DATE: 03-02-10  
CHK: *[Signature]*    REV:

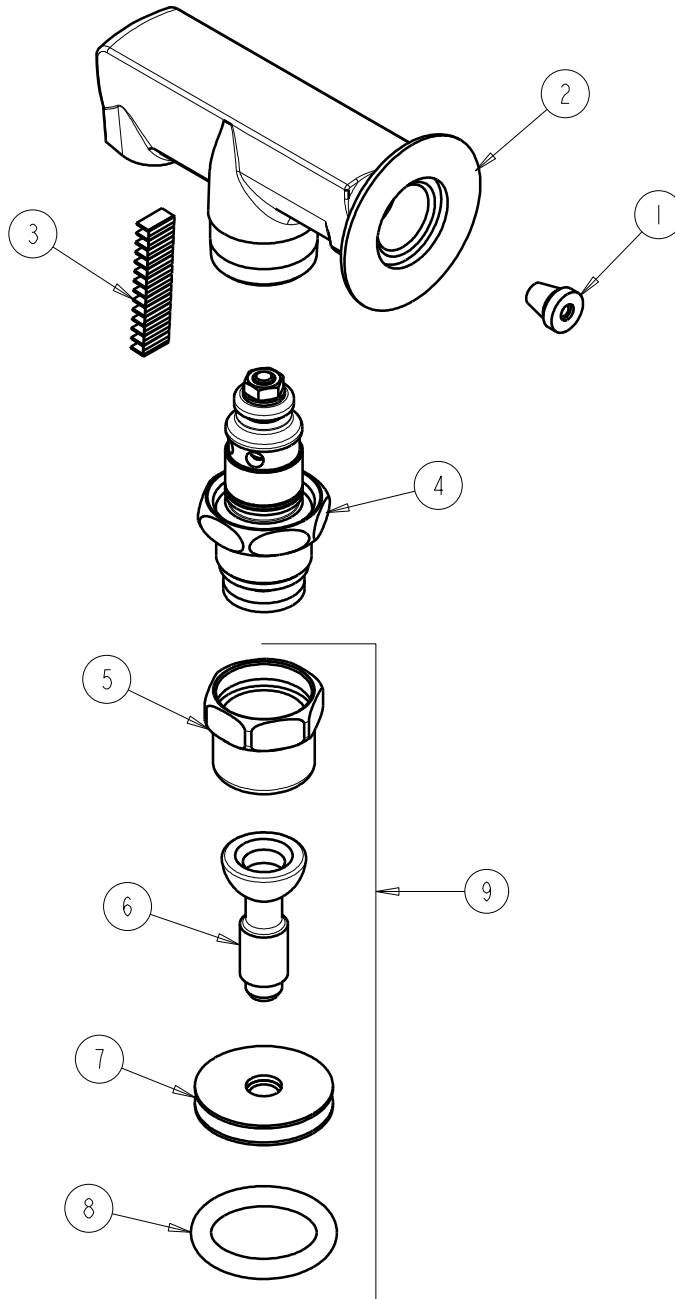
FITTING NO.

**313-CP**

SUBMITTED MODEL NO.

ITEM NO.

**FOR TECHNICAL ASSISTANCE**  
1-800-TEC-TRUE (1-800-832-8783)



ITEM	PART NO.	DESCRIPTION	ITEM	PART NO.	DESCRIPTION
1	313-042KJKNF	FLOW CONTROL ASSEMBLY	6	313-036JKCP	HANDLE
2	---	VALVE BODY NOT SOLD SEPARATELY	7	313-002JKCP	DISC
3	1-171JKRBF	ANTI-SPLASH SPRING	8	313-040JKNF	RING
4	386-LDPXJKNF	GLASS FILLER CARTRIDGE	9	313-036KJKCP	HANDLE ASSEMBLY
5	386-005JKCP	BONNET			