

**CHICAGO
FAUCETS** 

a Geberit company

2100 South Clearwater Drive
Des Plaines, IL 60018
Phone: 847-803-5000
Fax: 847-803-5454
www.chicagofaucets.com

**REPAIR
PARTS**

BY: JAR DATE: 07-28-09

CHK:  REV:

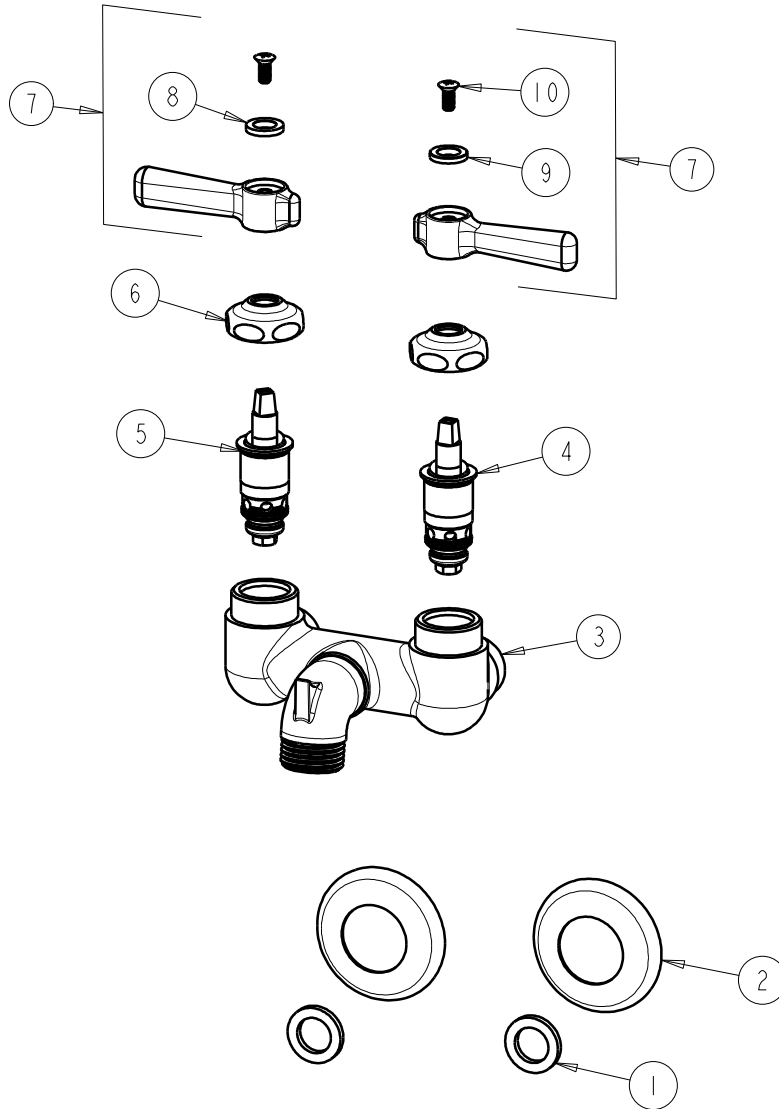
FITTING NO.

305-LESSARMCP

SUBMITTED MODEL NO.

ITEM NO.

FOR TECHNICAL ASSISTANCE
1-800-TEC-TRUE (1-800-832-8783)



ITEM	PART NO.	DESCRIPTION
1	1-011JKNF	WASHER, .97 X .62 X .12
2	1-055JKCP	FLANGE
3	---	NOT SOLD SEPARATELY
4	1-099XTJKNF	QUATURN UNIT (RH)
5	1-100XTJKNF	QUATURN UNIT (LH)
6	1-214JKCP	CAP
7	369-PRJKCP	LEVER HANDLE ASSEMBLY (PAIR)
8	633-023JKNF	INDEX BUTTON (RED)
9	633-123JKNF	INDEX BUTTON (BLUE)
10	420-010JKRCF	SCREW, 10-32 UNC PH 1/2