

**CHICAGO FAUCETS**  
a Geberit company

2100 South Clearwater Drive  
Des Plaines, IL 60018  
Phone: 847-803-5000  
Fax: 847-803-5454  
www.chicagofaucets.com

**REPAIR PARTS**

FITTING NO.

**201-AGN2AE3VPA1000CP**

SUBMITTED MODEL NO.

BY: SID

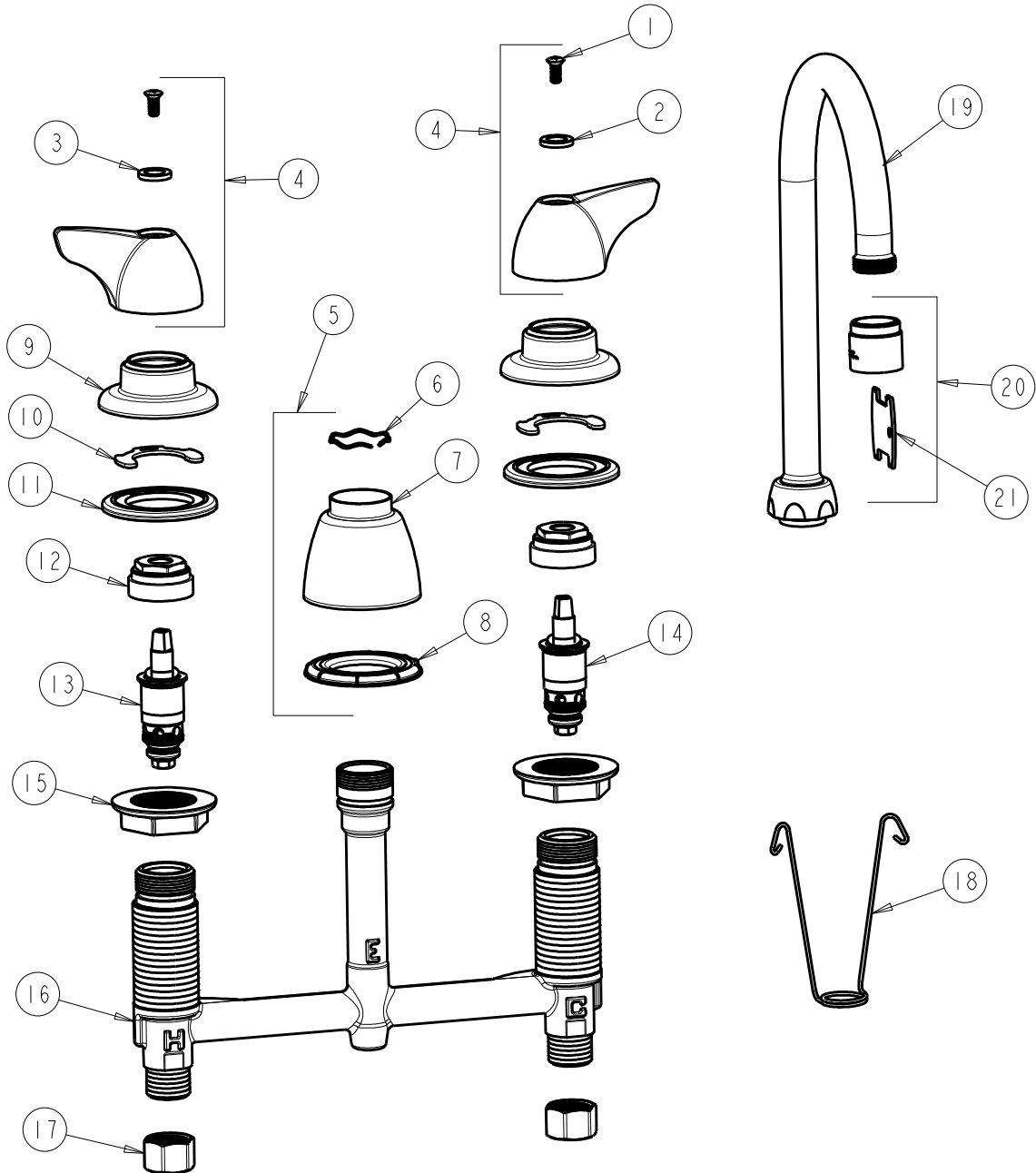
DATE: 06-27-11

CHK:

REV: 04-13-12

ITEM NO.

**FOR TECHNICAL ASSISTANCE**  
**1-800-TEC-TRUE (1-800-832-8783)**



ITEM	PART NO.	DESCRIPTION	ITEM	PART NO.	DESCRIPTION
1	420-010JKRCF	SCREW, 10-32 UNC PH 1/2	12	400-004JKRBF	NUT, CAP
2	633-123JKNF	INDEX BUTTON (BLUE)	13	1-100XTJKNF	QUATURN CARTRIDGE (LH)
3	633-023JKNF	INDEX BUTTON (RED)	14	1-099XTJKNF	QUATURN CARTRIDGE (RH)
4	1000-PRJKCP	WING HANDLE ASSEMBLY (PAIR)	15	250-004JKNF	LOCKNUT
5	785-400JKCP	SPOUT ESCUTCHEON KIT	16	—	BODY, VALVE
6	50-038JKNF	WAVE WASHER	17	49-005JKRBF	COUPLING NUT
7	785-400JKCP	ESCUTCHEON, SPOUT BASE	18	200-008JKNF	HANGER
8	888-027JKNF	SPOUT ESCUTCHEON WASHER	19	GN2AJKCP	SPOUT
9	250-083JKCP	ESCUTCHEON	20	E3VPJKCP	VP SOFTFLO AERATOR 2.2 GPM
10	200-009JKNF	CLIP, RETAIN	21	3-024JKRCF	KEY, VP
11	888-026JKNF	WASHER, SEALING			