



a Geberit company

2100 South Clearwater Drive  
Des Plaines, IL 60018  
Phone: 847-803-5000  
Fax: 847-803-5454  
www.chicagofaucets.com

# REPAIR PARTS

BY: SID    DATE: 11-06-01  
CHK: *JR*    REV: 12-05-16

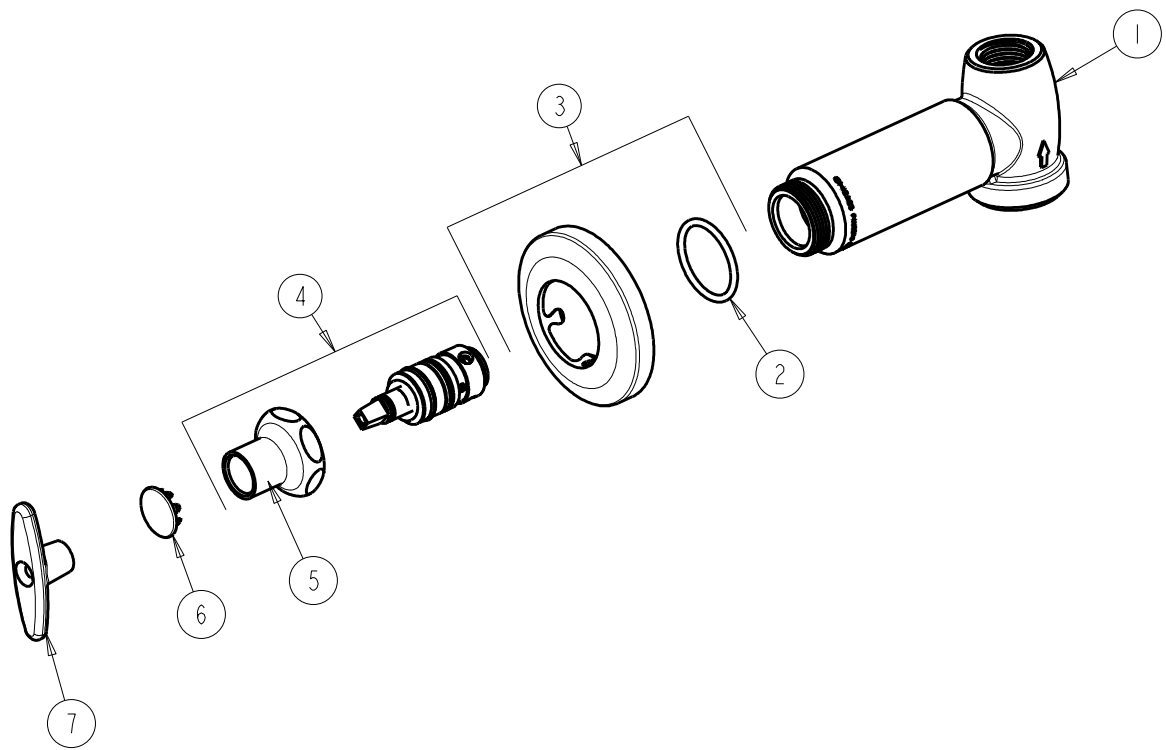
FITTING NO.

1771-CABCP

SUBMITTED MODEL NO.

ITEM NO.

**FOR TECHNICAL ASSISTANCE**  
1-800-TEC-TRUE (1-800-832-8783)



ITEM	PART NO.	DESCRIPTION
1	-----	VALVE BODY (NOT SODL SEPARATELY)
2	5235-107JKNF	O-RING
3	633-201JKCP	FLANGE & O-RING
4	376-CXJKABNF	SLO-COMP INTEGRAL CHECK UNIT
5	1-246JKCP	NUT, CAP LOOSE KEY 1-1/8-18 UNEF
6	1-144JKCP	BUTTON
7	293-006JKRCF	TEE HANDLE (INCLUDES SCREW)