

**CHICAGO FAUCETS**  
a Geberit company

2100 South Clearwater Drive  
Des Plaines, IL 60018  
Phone: 847-803-5000  
Fax: 847-803-5454  
www.chicagofaucets.com

**REPAIR PARTS**

FITTING NO.

**1201-ALESSSPTXKCP**

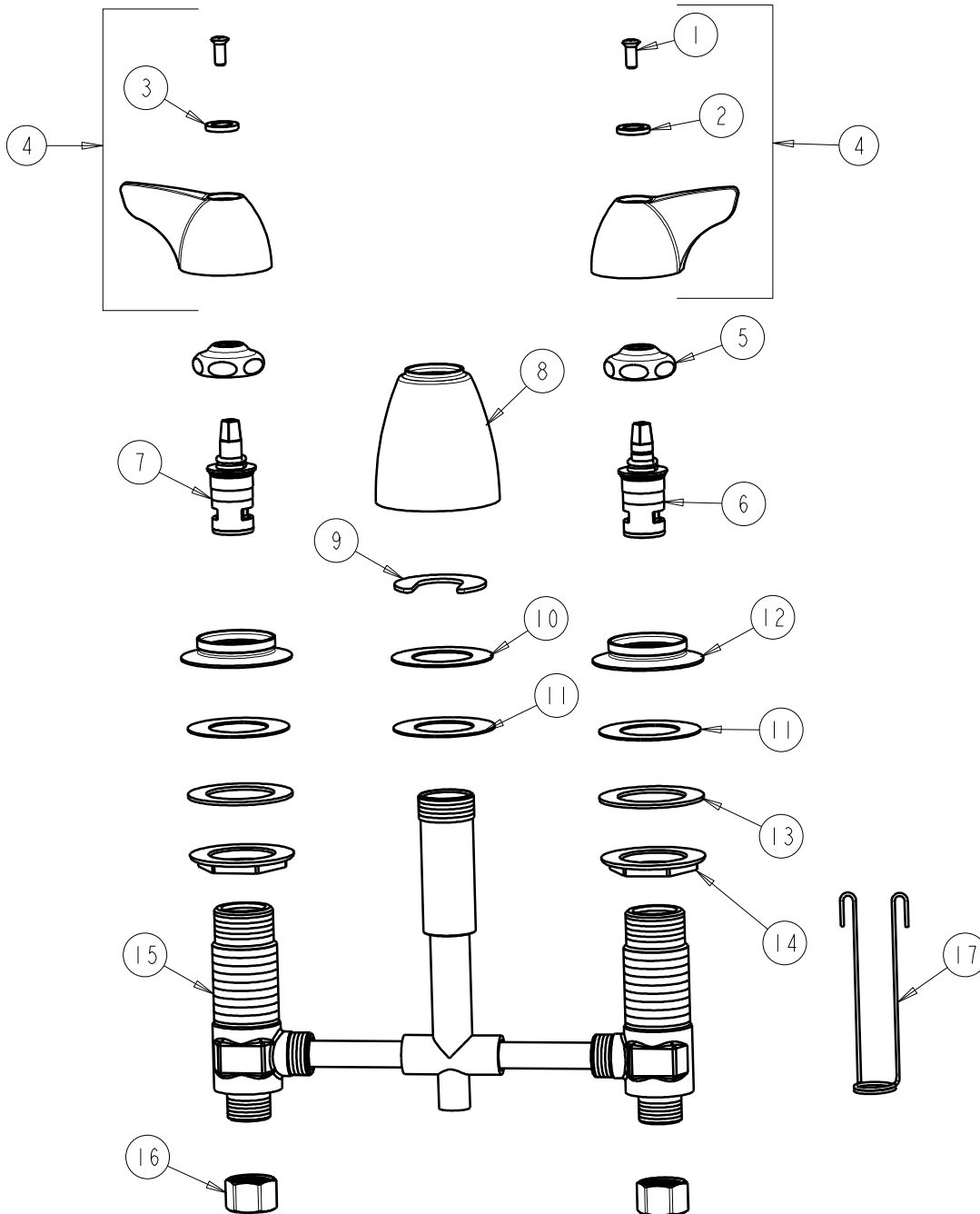
SUBMITTED MODEL NO.

BY: JAR DATE: 04-27-09

CHK: *JAR* REV:

ITEM NO.

**FOR TECHNICAL ASSISTANCE**  
**1-800-TEC-TRUE (1-800-832-8783)**



ITEM	PART NO.	DESCRIPTION	ITEM	PART NO.	DESCRIPTION
1	420-010JKRCF	SCREW, 10-32 UNC PH 1/2	10	888-006JKRBF	BRASS WASHER
2	633-123JKNF	INDEX BUTTON (BLUE)	11	739-056JKNF	RUBBER WASHER
3	633-023JKNF	INDEX BUTTON (RED)	12	1797-122JKCP	FLANGE
4	1000-PRJKCP	WING HANDLE ASSEMBLY (PAIR)	13	55-010JKNF	STEEL WASHER
5	1-214JKCP	CAP	14	250-004JKRBF	LOCKNUT
6	1-099XKJKNF	RH CERAMIC CARTRIDGE 1/4	15	—	VALVE BODY (NOT SOLD SEPARATELY)
7	1-100XKJKNF	LH CERAMIC CARTRIDGE 1/4	16	49-005JKRBF	COUPLING NUT
8	890-259JKCP	SPOUT ESCUTCHEON	17	200-007JKNF	HANGER
9	200-006JKNF	C-WASHER			