

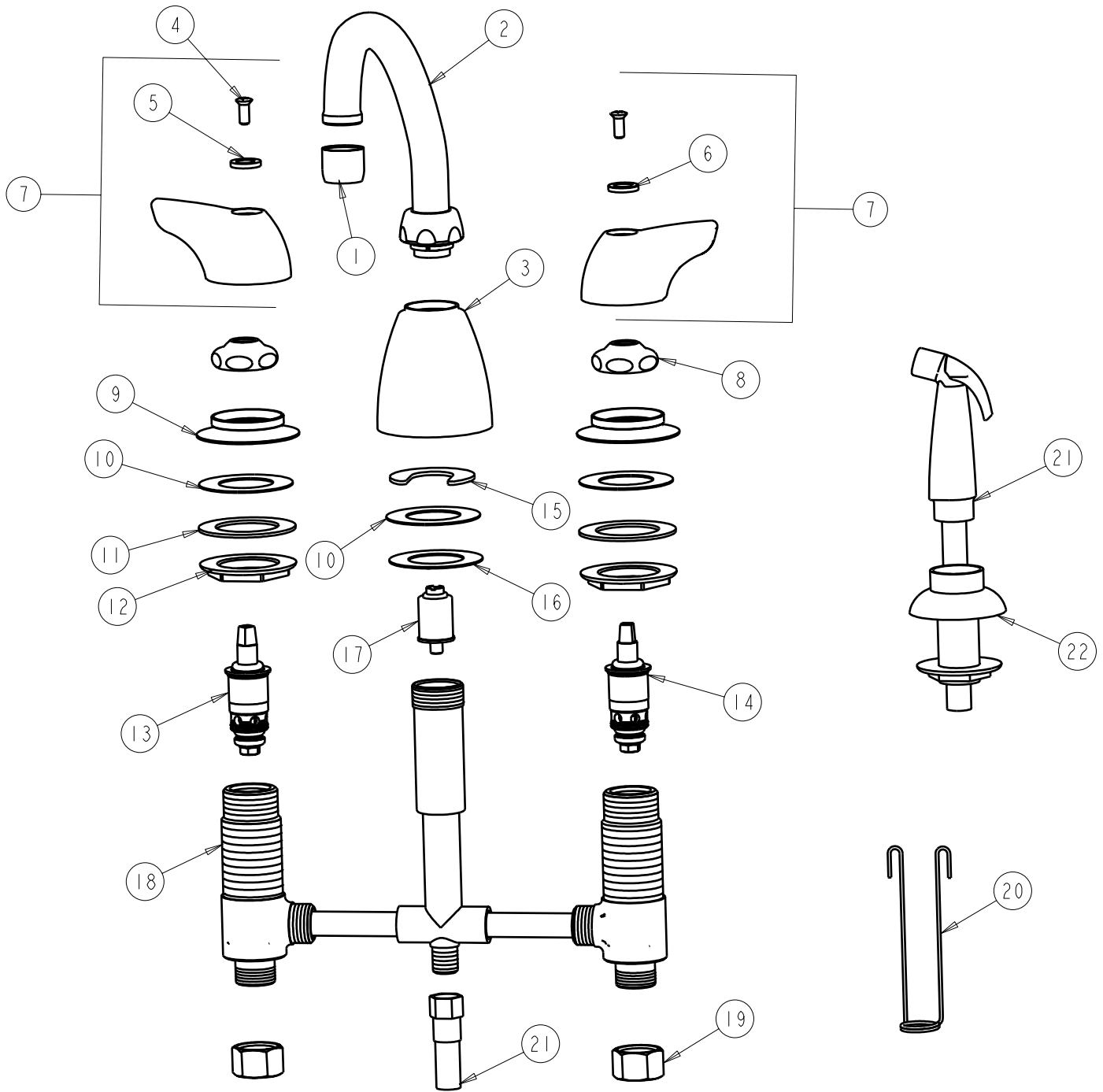
PARTS LIST

BY: SID
CHK'D: *[Signature]*



FINISH: AS SPECIFIED
DATE: 11-05-01
REV: 03-29-07

1200-A



ITEM NO.	PART NO.	DESCRIPTION	ITEM NO.	PART NO.	DESCRIPTION
1	E3	SOFTFLO OUTLET	12	250-004	LOCKNUT
2	L9	FOR PARTS SEE L9 WITH E3	13	1-100XT	QUATURN UNIT (LH)
3	890-259	SPOUT ESCUTCHEON	14	1-099XT	QUATURN UNIT (RH)
4	420-010	SCREW	15	200-006	C-WASHER
5	633-023	INDEX BUTTON (RED)	16	888-006	BRASS WASHER
6	633-123	INDEX BUTTON (BLUE)	17	1103-006	DIVERTER VALVE
7	1000-PR	WING HANDLE ASSEMBLY (PAIR)	18	-----	VALVE BODY (NOT SOLD SEPARATELY)
8	1-214	CAP	19	49-005	COUPLING NUT
9	1797-122	FLANGE	20	200-007	HANGER
10	739-056	RUBBER WASHER	21	1103-009K	SPRAY AND HOSE ASSEMBLY
11	55-010	STEEL WASHER	22	1103-014K	FLANGE ASSEMBLY