

**CHICAGO FAUCETS**  
a Geberit company

2100 South Clearwater Drive  
Des Plaines, IL 60018  
Phone: 847-803-5000  
Fax: 847-803-5454  
www.chicagofaucets.com

**REPAIR PARTS**

FITTING NO.

**1102-L9CP**

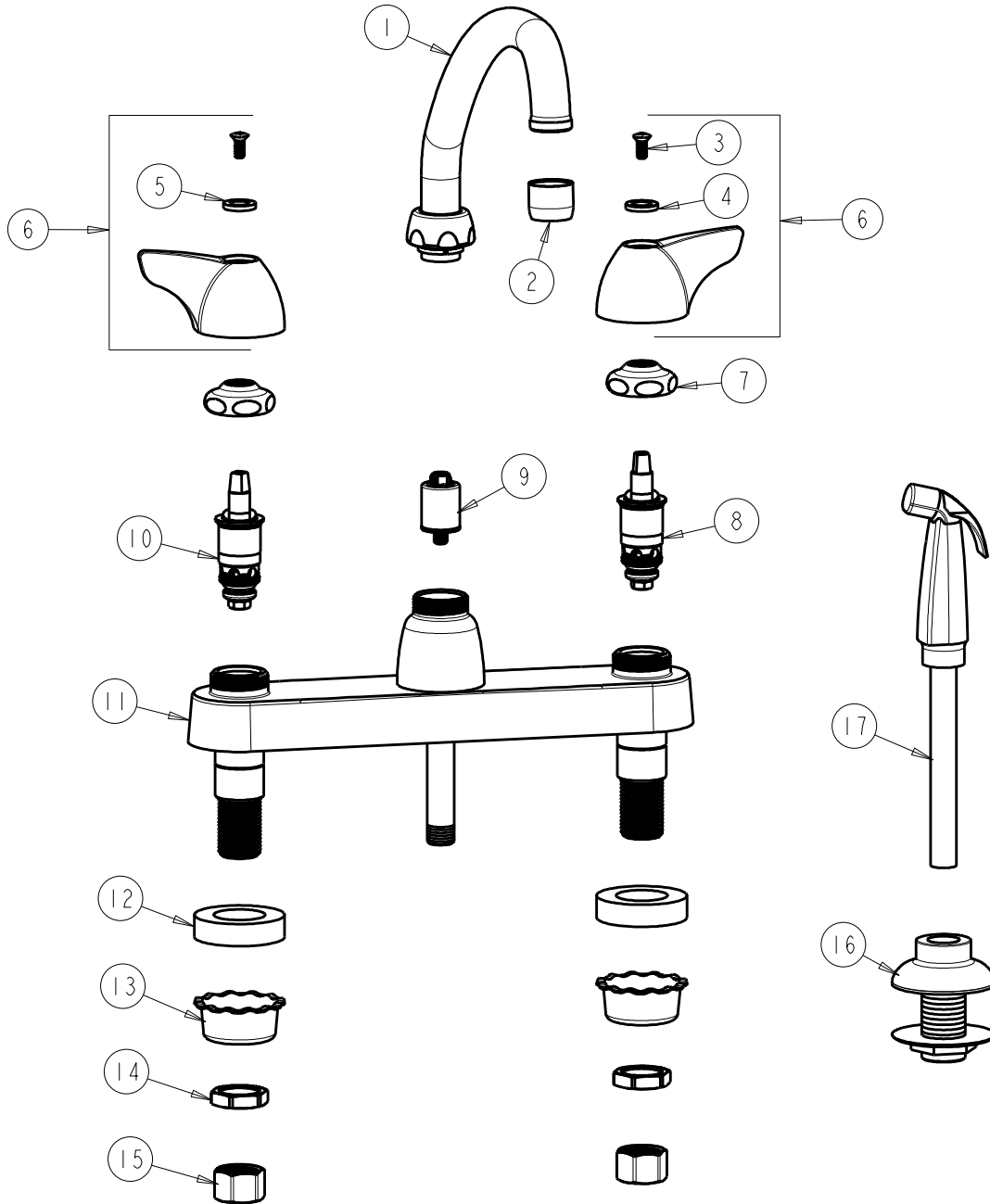
SUBMITTED MODEL NO.

ITEM NO.

**FOR TECHNICAL ASSISTANCE**  
**1-800-TEC-TRUE (1-800-832-8783)**

BY: JAR DATE: 02-07-11

CHK: *[Signature]* REV:



ITEM	PART NO.	DESCRIPTION	ITEM	PART NO.	DESCRIPTION
1	L9LESSE3JKCP	FOR PARTS SEE L9LESSE3JKCP	10	1-100XTJKNF	QUATURN UNIT (LH)
2	E3JKCP	SOFTFLO AERATOR	11	—	VALVE BODY NOT SOLD SEPARATELY
3	420-010JKRCF	SCREW, 10-32 UNC PH 1/2	12	555-313JKNF	WASHER
4	633-123JKNF	INDEX BUTTON (BLUE)	13	1797-114JKNF	BASIN COCK WASHER
5	633-023JKNF	INDEX BUTTON (RED)	14	49-004JKRBF	LOCKNUT
6	1000-PRJKCP	WING HANDLE ASSEMBLY (PAIR)	15	49-005JKRBF	COUPLING NUT
7	1-214JKCP	CAP	16	1103-014KJKNF	FLANGE ASSEMBLY
8	1-099XTJKNF	QUATURN UNIT (RH)	17	1103-009KJKNF	SPRAY AND HOSE ASSEMBLY
9	1103-006JKNF	DIVERTER VALVE			