

CHICAGO FAUCETS
a Geberit company

2100 South Clearwater Drive
Des Plaines, IL 60018
Phone: 847-803-5000
Fax: 847-803-5454
www.chicagofaucets.com

REPAIR PARTS

FITTING NO.

1102-HA8-317CP

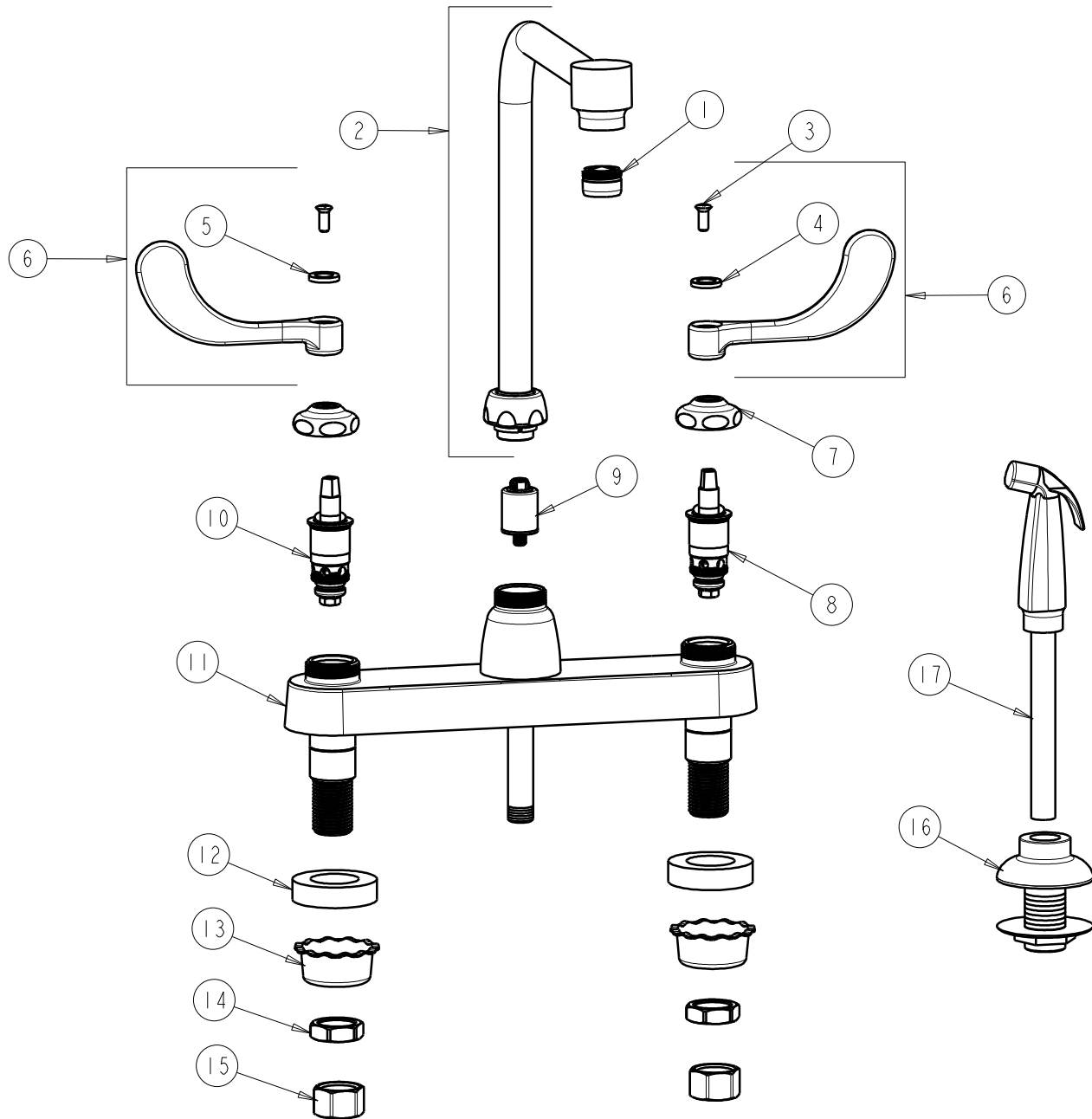
SUBMITTED MODEL NO.

BY: SID DATE: 03-20-09

CHK: *[Signature]* REV:

ITEM NO.

FOR TECHNICAL ASSISTANCE
1-800-TEC-TRUE (1-800-832-8783)



ITEM	PART NO.	DESCRIPTION	ITEM	PART NO.	DESCRIPTION
1	E12JKCP	SOFTFLO OUTLET	10	1-100XTJKNF	QUATURN UNIT (LH)
2	HA8JKCP	FOR PARTS SEE HA8JKCP	11	—	VALVE BODY NOT SOLD SEPARATELY
3	420-010JKRCF	SCREW, 10-32 UNC PH 1/2	12	555-313JKNF	WASHER
4	633-123JKNF	INDEX BUTTON (BLUE)	13	1797-114JKNF	BASIN COCK WASHER
5	633-023JKNF	INDEX BUTTON (RED)	14	49-004JKRBF	LOCKNUT
6	317-PRJKCP	HANDLE, 4" WRISTBLADE (PAIR)	15	49-005JKRBF	COUPLING NUT
7	1-214JKCP	CAP	16	1103-014KJKNF	FLANGE ASSEMBLY
8	1-099XTJKNF	QUATURN UNIT (RH)	17	1103-009KJKNF	SPRAY AND HOSE ASSEMBLY
9	1103-006JKNF	DIVERTER VALVE			