

CHICAGO FAUCETS 

a Geberit company

2100 South Clearwater Drive
Des Plaines, IL 60018
Phone: 847-803-5000
Fax: 847-803-5454
www.chicagofaucets.com

REPAIR PARTS

BY: SID DATE: 02-12-09
CHK:  REV:

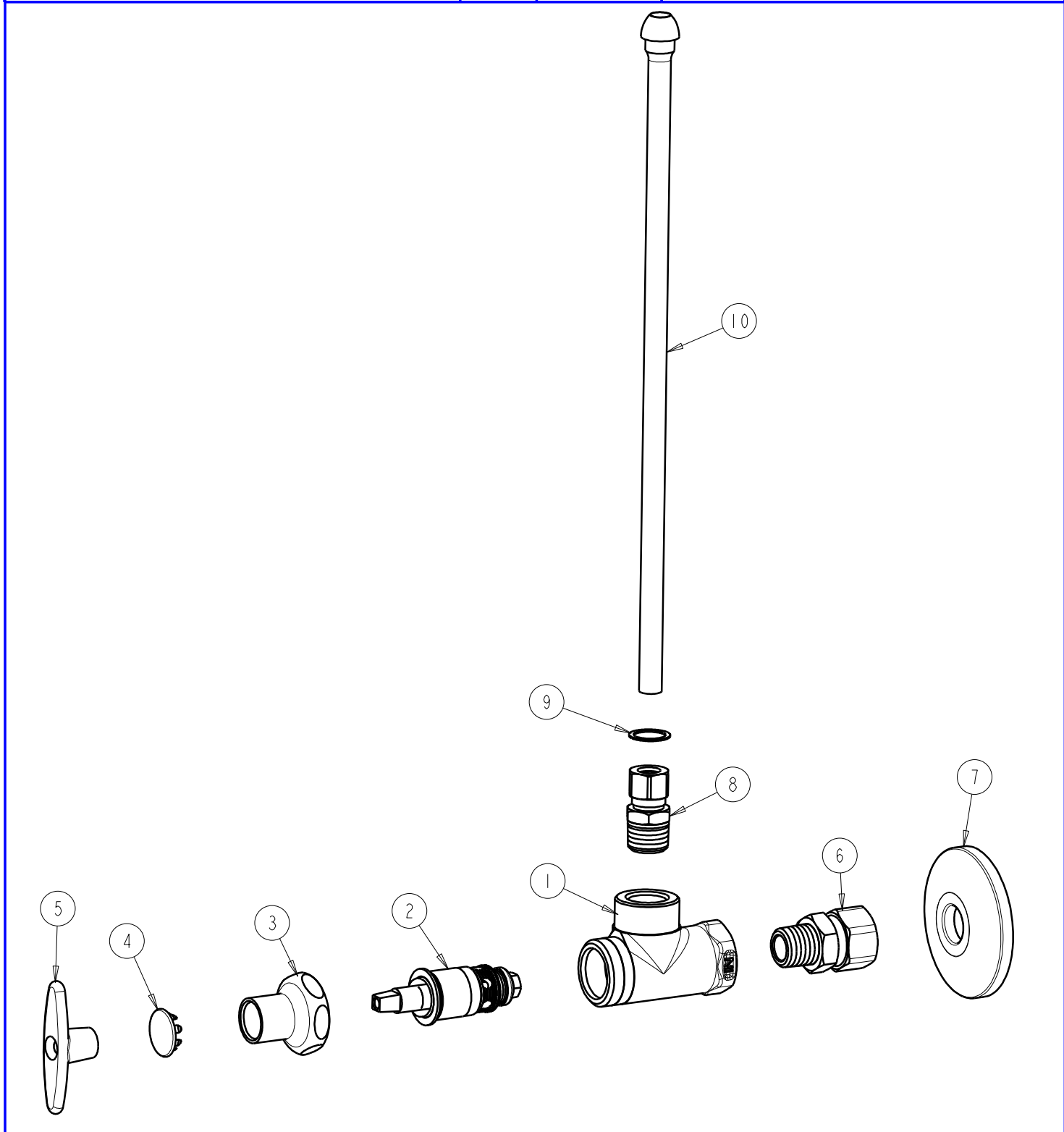
FITTING NO.

1029-CP

SUBMITTED MODEL NO.

ITEM NO.

FOR TECHNICAL ASSISTANCE
1-800-TEC-TRUE (1-800-832-8783)



ITEM	PART NO.	DESCRIPTION	ITEM	PART NO.	DESCRIPTION
1	---	VALVE BODY (NOT SOLD SEPERATELY)	6	1022-005JKRCF	COMPRESSION FITTING
2	217-XTLHJKNF	CARTRIDGE, SLO-COMPRESSION	7	1022-004JKNF	FLANGE
3	1-246JKCP	NUT, CAP LOOSE KEY 1-1/8-18 UNEF	8	1022-007JKRCF	COMP. FITTING 3/8 TUBE X 3/8 NPT
4	1-144JKCP	BUTTON	9	250-027JKRBF	BRASS WASHER
5	293-006JKRCF	HANDLE, TEE INCLUDES SCREW	10	1016-001JKRCF	FLEXIBLE TUBE 3/8 X 11-7/8