

CHICAGO FAUCETS
a Geberit company

2100 South Clearwater Drive
Des Plaines, IL 60018
Phone: 847-803-5000
Fax: 847-803-5454
www.chicagofaucets.com

REPAIR PARTS

BY: JAR DATE: 10-14-11
CHK: *[Signature]* REV:

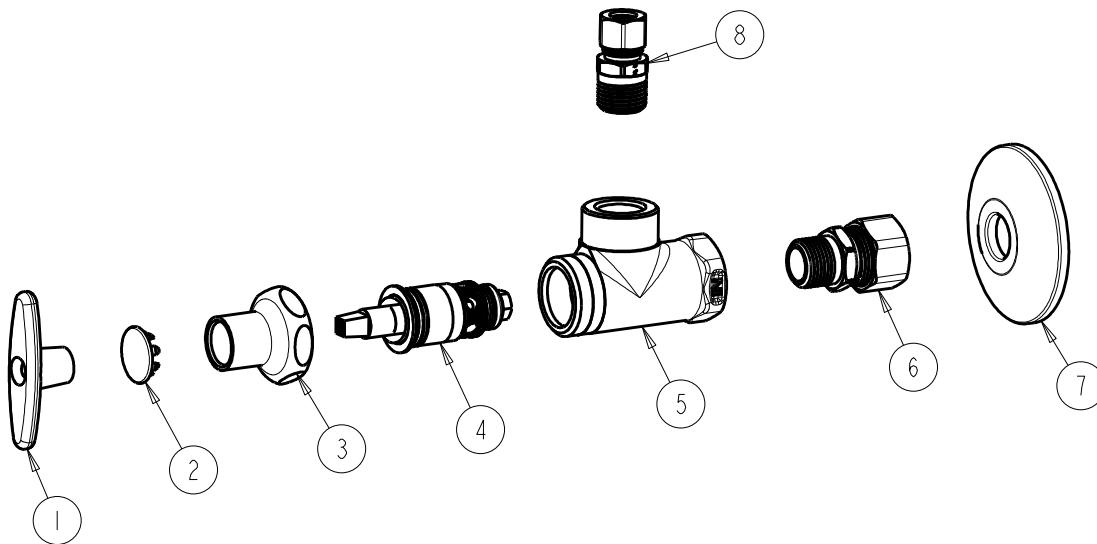
FITTING NO.

1025-ABCP

SUBMITTED MODEL NO.

ITEM NO.

FOR TECHNICAL ASSISTANCE
1-800-TEC-TRUE (1-800-832-8783)



ITEM	PART NO.	DESCRIPTION
1	293-006JKRCF	TEE HANDLE & SCREW
2	1-144JKCP	BUTTON
3	1-246JKCP	NUT, CAP LOOSE KEY 1-1/8-18 UNEF
4	217-XTLHJKABNF	CARTRIDGE, SLO-COMPRESSION
5	----	VALVE BODY (NOT SOLD SEPERATELY)
6	1022-005KJKABRCF	COMPRESSION FITTING
7	1022-004JKNF	FLANGE
8	1022-007KJKABRCF	COMP. FITTING 3/8 TUBE X 3/8 NPT