

**CHICAGO  
FAUCETS**

a Geberit company

**FOR TECHNICAL ASSISTANCE**  
1-800-TEC-TRUE (1-800-832-8783)

2100 South Clearwater Drive  
Des Plaines, IL 60018  
Phone: 847-803-5000  
Fax: 847-803-5454  
www.chicagofaucets.com

**REPAIR  
PARTS**

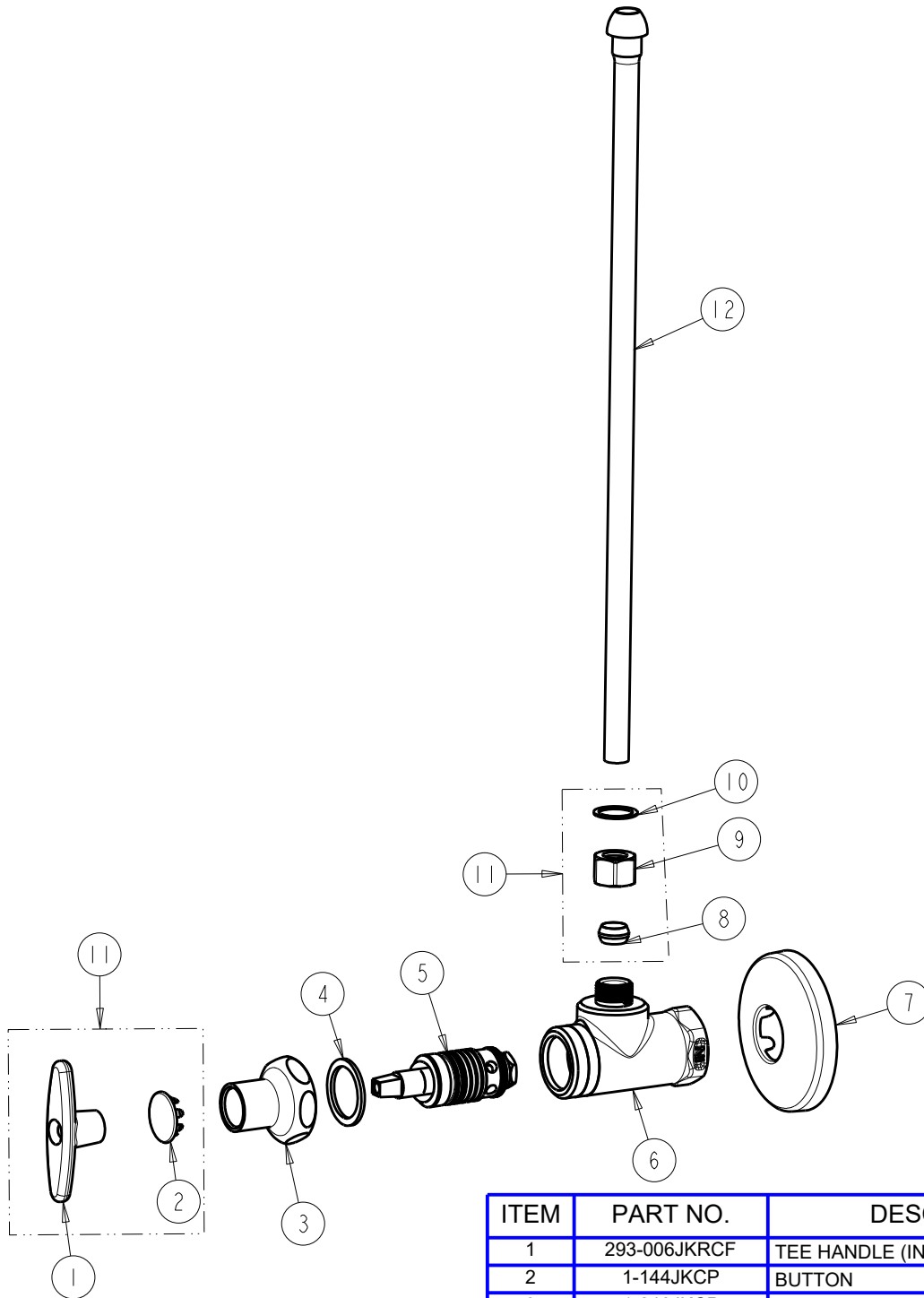
BY: JAR DATE: 10-13-11  
CHK: *FCG* REV: 06-29-22

FITTING NO.

**1017-MMABCP**

SUBMITTED MODEL NO.

ITEM NO.



ITEM	PART NO.	DESCRIPTION
1	293-006JKRCF	TEE HANDLE (INCLUDES SCREW)
2	1-144JKCP	BUTTON
3	1-246JKCP	NUT, CAP LOOSE KEY 1-1/8-18 UNEF
4	1-343JKABNF	GASKET
5	217-XMLHJKABNF	SLO-COMP. METAL/METAL CARTRIDGE
6	-----	VALVE BODY (NOT SOLD SEPARATELY)
7	749-016JKCP	FLANGE
8	-----	FERRULE, 3/8 TUBE
9	-----	COMPRESSION NUT, 3/8 TUBE
10	250-027JKRBF	BRASS WASHER
11	197-PPJKNF	PRE-PACK, STOP HARDWARE 3/8 TUBE
12	-----	3/8 COMP BULLNOSE RISER 12"