

Repair Parts

50-E35-317ABCP

Single-hole, deck-mounted manual sink faucet

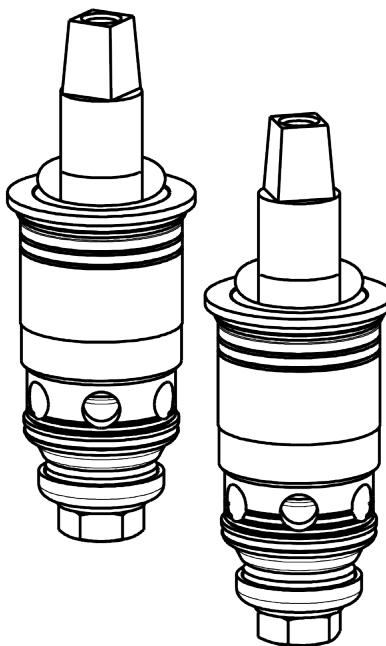
**CHICAGO
FAUCETS** 

a Geberit company

Quatern™ compression operating cartridge

1-099XTJKABNF

1-100XTJKABNF



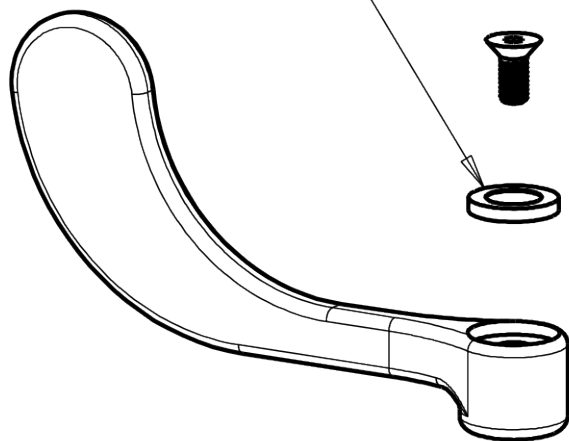
4" wristblade handle

317-PRJKCP

INDEX

BUTTON (RED)

633-023JKNF

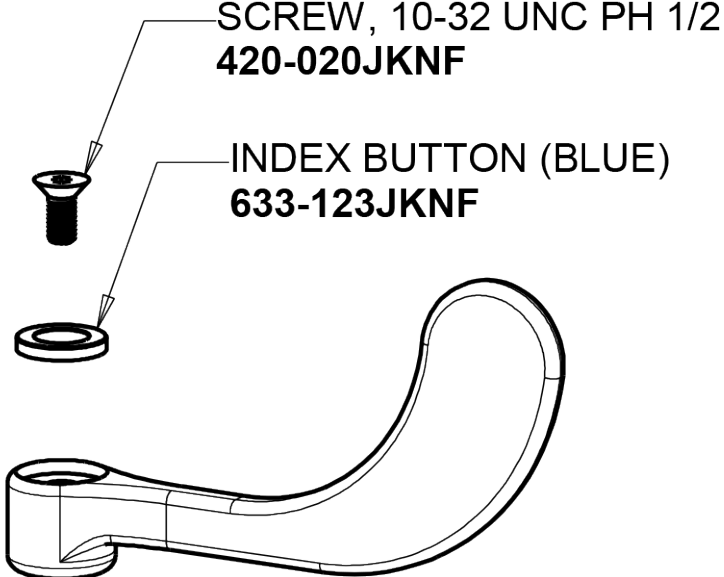


SCREW, 10-32 UNC PH 1/2

420-020JKNF

INDEX BUTTON (BLUE)

633-123JKNF



For Technical Assistance:

Phone: 800-TEC-TRUE (832-8783)

Email: techsupport.us@chicagofaucets.com

2100 South Clearwater Drive

Des Plaines, IL 60018

Phone: 847-803-5000

chicagofaucets.com