

Alpina Series Installation Instructions

Touch-Free Vandal Resistant Faucets

**CHICAGO
FAUCETS**

Geberit Group

Safety Informationa

Read this entire user guide to ensure proper installation. Compliance and conformity to local codes and ordinances is the responsibility of the installer. The following safety notes must always be complied with during handling of this product:

- Make sure there is enough space and lighting available during installation and service.
- Do not modify or convert this Chicago Faucets product yourself. All warranties will be voided.

Internal Antenna Specifications

- Peak Gain of the antenna: 1.5 dBi
- Frequency range: 2.4 GHz
- FCC ID: 2APT-X-CFC05
- IC 31327-CFC05

Operating static pressure: 20-125 PSI (138-862 kPa)

Min. static pressure for mixing: 30 PSI (207 kPa)

COLD water inlet temperature range: 40-80 F (4-27 C)

HOT water inlet temperature range: 100-180 F (38-82 C)

Max. hot water range outlet from thermostatic mixing valve: 80-120 F (27-49 C)

Max. hot water range outlet from mechanical mixing valve: 40-140 F (4-60 C)

Max. pressure differential between Hot & Cold water supplies: 20%; Min. inlet water supply temperature differential: 20 F (9 C)

Notice to the Installer

Read this entire instruction sheet before installing to ensure proper installation. Installation must comply with local codes and ordinances. Do not use pipe dope. Care shall be exercised when installing the device to prevent marring the exposed, decorative surfaces. The supply piping to these devices shall be securely anchored to the building structure to prevent installed device from unnecessary movement when operated by the user.

FCC Caution: Any changes or modifications not expressly approved by the party responsible for compliance could void the user's authority to operate this equipment.

This equipment complies with FCC radiation exposure limits set forth for an uncontrolled environment. This equipment can be installed and operated at a distance of 5 mm between the radiator and your body. This Device complies with Innovation, Science and Economic Development Canada License-exempt RSS standard(s). Operation is subject to the following two conditions: 1) this device may not cause interference, and 2) this device must accept any interference, including interference that may cause undesired operation of the device. This equipment complies with RSS-102 radiation exposure limits set forth for an uncontrolled environment. This equipment should be installed and operated with minimum distance of 15 mm between the radiator and body extremities.

Cet appareil est conforme aux normes RSS exemptes de licence d'Innovation, Science et Développement économique Canada. Son fonctionnement est soumis aux deux conditions suivantes: 1) cet appareil ne doit pas provoquer d'interférences, et 2) cet appareil doit accepter toute interférence, y compris les interférences susceptibles de provoquer un fonctionnement indésirable de l'appareil. Cet équipement est conforme aux limites d'exposition aux rayonnements RSS-102 établies pour un environnement non contrôlé. Cet équipement doit être installé et utilisé à distance minimum de 15 mm entre le radiateur et votre corps.

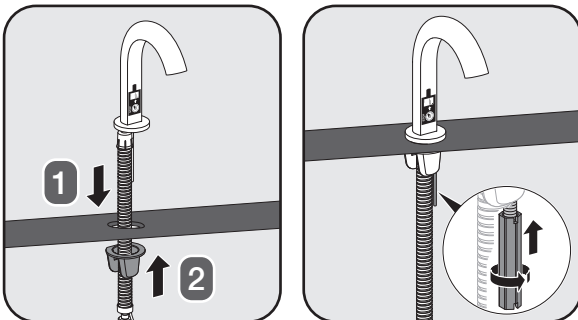
Installation may be performed at different times of construction by different individuals. Instructions should be left on with the facility or maintenance manager.

NOTE: Before installation, turn off water supplies to existing faucet and remove faucet if replacing. Clean faucet basin and clear away debris. **Flush all supply lines before connecting to faucet.** Failure to do so can result in debris clogging the inlets and/or internal control and mixing valves.

In order to complete the installation, you will need the following tools and supplies:

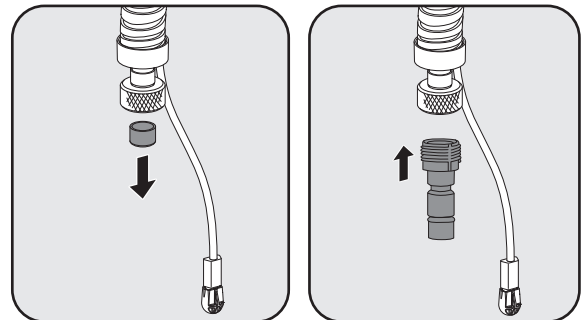
- Phillips Screwdriver, #1, #2, #3
- Drill, with 3/16" Bit
- Mallet
- Silicone-based Lubricant
- 3mm hex key
- Adjustable Wrench
- Plumbers Putty
- Tape Measure
- 1/2" Deep Socket or #3 Flat Head Screwdriver

Mounting Faucet



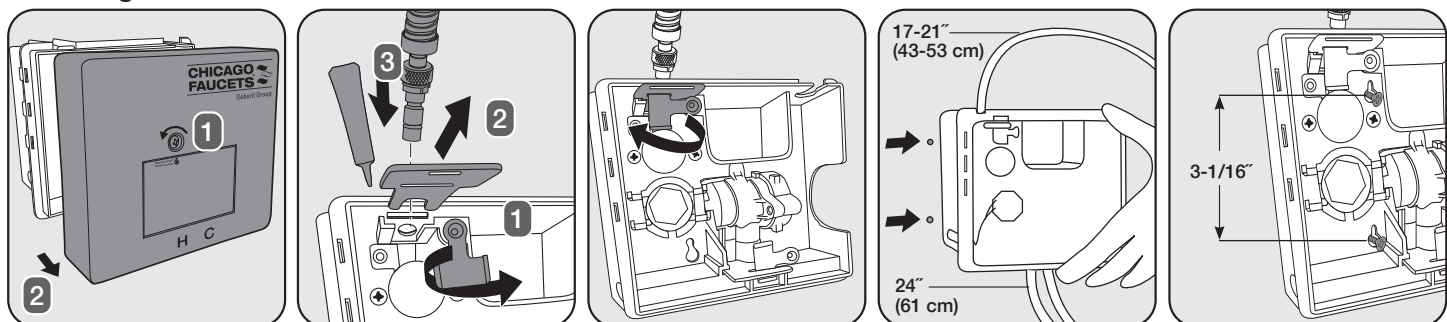
1. Feed the spout hose through the deck and position the spout.
2. Position the spout through the cup washer.
3. Tighten nut onto threaded rod using a screwdriver, wrench, or 1/2" socket.

Install Faucet Adapter



1. Remove and discard bottom cap.
2. Connect brass adapter to spout hose

Mounting Control Box



1. Remove the control box cover by using a #2 Phillips screwdriver to loosen the cover screw.
2. Pivot the yellow locking tab and remove the metal key at the top of the control box. Apply silicone-based lubricant to the end of the spout hose and insert it through the hole.
3. Be sure to seat the hose firmly before reinstalling the metal key and securing it with the yellow locking tab.
4. Determine the position of the control box under the sink. Hold the control box against the wall and mark the locations of the two mounting holes. Orientation is not critical.
5. Drill 3/16" holes, install wall anchors and mounting screws. Leave at least 1/2" (12mm) of the screw head exposed. Secure the control box to the wall using a #2 Phillips screwdriver.