

Soap Dispenser Installation Instructions

For E-Tronic® 80 Touch-Free Soap Dispensers

CHICAGO FAUCETS
Geberit Group

Overview

E-Tronic® 80 soap dispensers are specially designed to complement the look of Chicago Faucets E-Tronic® 80 touchless restroom faucets. These dispensers feature easy installation and no-touch operation that dispenses liquid or foam, depending on the model.

Safety Information

Read this entire user guide to ensure proper installation. Compliance and conformity to local codes and ordinances is the responsibility of the installer.

Please follow these important safety guidelines while handling and installing this product:

- Make sure there is enough space and lighting available during installation and service.
- Do not modify or convert this Chicago Faucets product before, during, or after installation. Doing so voids all warranties.

Notice to the Installer

- Read this entire instruction sheet before installing to ensure proper installation.
- Installation must comply with local codes and ordinances.
- Exercise care when installing the device to prevent marring the exposed, decorative surfaces.

NOTE: The information in this manual is subject to change without notice.

Installation may be performed at different times of construction by different individuals. For this reason, these instructions should be left on-site with the facility or maintenance manager.

You will need the following tools to complete the installation:

- Adjustable Wrench
- Adjustable Locking Pliers
- Drill and Drill Bit for Drywall Anchors
- Pencil
- Phillips Screwdriver
- Slot Head Screwdriver
- Rubber Mallet or Hammer

Note for Reliable Operation

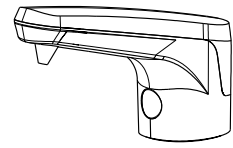
- Ensure soap is free of particles and filling cup is clean.
- Replace batteries when red light in sensor window blinks.
- Use soft and moist cloth to clean the dispenser.
- Clean soap tank with water periodically.
- Refill soap when soap level is approximately 3/4" (20 mm).
- Avoid spraying water directly at the system.

Installation Steps:

1. Determine the position of the soap bottle and mounting bracket below the sink. The bracket mounting holes must be a minimum of 13-3/4" (350 mm) above the finished floor (see Figure 1).
2. Position the bracket against the wall, make sure it is level, and mark the two screw holes. Drill two holes for the wall anchors. Insert the wall anchors and secure the bracket using the mounting screws.
3. Insert the threaded mounting post into the bottom of the soap dispenser and tighten with a screwdriver. Insert the rubber o-ring into the bottom of the dispenser. Feed tubes and wires through mounting hole and position the dispenser on the top of the sink or deck.
4. Attach the adhesive rubber pad to the deck washer. Slide the deck washer onto the mounting rod with the rubber pad positioned against the deck, secure the dispenser with the Mounting Nut.
5. The hose from the dispenser may be longer than needed to reach the control unit. You can trim to length before attaching.
For liquid dispenser unit, attach the hose from the Soap Dispenser to the Control Box.
For foam dispenser unit, attach both hoses to the control box (see Figure 3) and secure with spring clamps provided. Hoses can be placed in either position.
6. Position the Control Box into the Hanger Bracket.
7. Attach the sensor cable from the Soap Dispenser to the cable on the Control Box.
8. For DC-powered units, mount the Battery Compartment to the wall with provided wall anchors and screws. Install batteries and attach the power cable to the Control box.
For AC-powered units, complete the Power Connection to the AC Transformer and plug the transformer into the outlet.
9. Fill the Soap Bottle to capacity and snap into the Control Box.
10. Prime the soap dispenser. Press and hold the Dispense Button (see Figure 2) until soap is dispensed. Release the button when soap is dispensed. Note: Foam dispensing models will dispense liquid soap, not foam, when the dispense button is pressed.
11. Remove the tape from the front of the dispenser sensor and test the installation by passing your hand in front of the Sensor.

Adjusting Soap Volume:

The soap dispenser offers four volume adjustments. See Figure 2. Adjust the switches as shown to dispense the required amount of soap.



Foam	Liquid
E80-SDF-1CP (DC)	E80-SDL-1CP (DC)
E80-SDF-1MB (DC)	E80-SDL-1MB (DC)
E80-SDF-4CP (AC)	E80-SDL-4CP (AC)
E80-SDF-4MB (AC)	E80-SDL-4MB (AC)

Specifications	
Operating Voltage	DC: 6V AC: 100V - 240V
Power Supply	4 'D' batteries (DC) or Plug-in transformer (AC)
Soap Viscosity	1-3500 cps (mpa.s) (liquid) 1-10 cps (mpa.s) (foam)
Sensing Range	8 - 9.5 in. (22 - 24 cm)
Ambient Operating Temperature	33° - 131°F (1° - 55°C)
Storage Temperature	-40° - 167°F (-40° - 75°C)

Figure 1: Hanger Detail

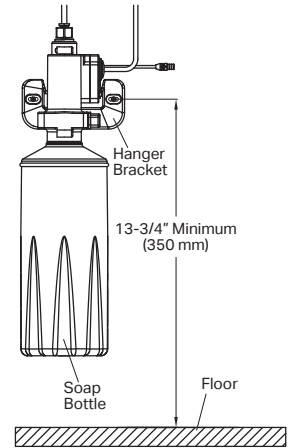


Figure 2: Volume Adjustment Detail

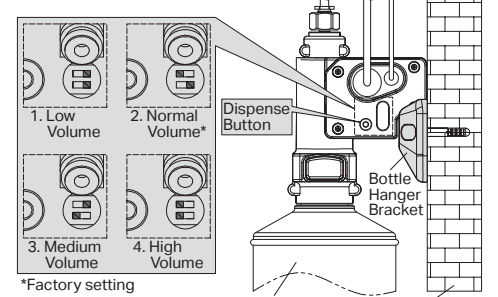


Figure 3: Installation for Foam Soap Dispenser

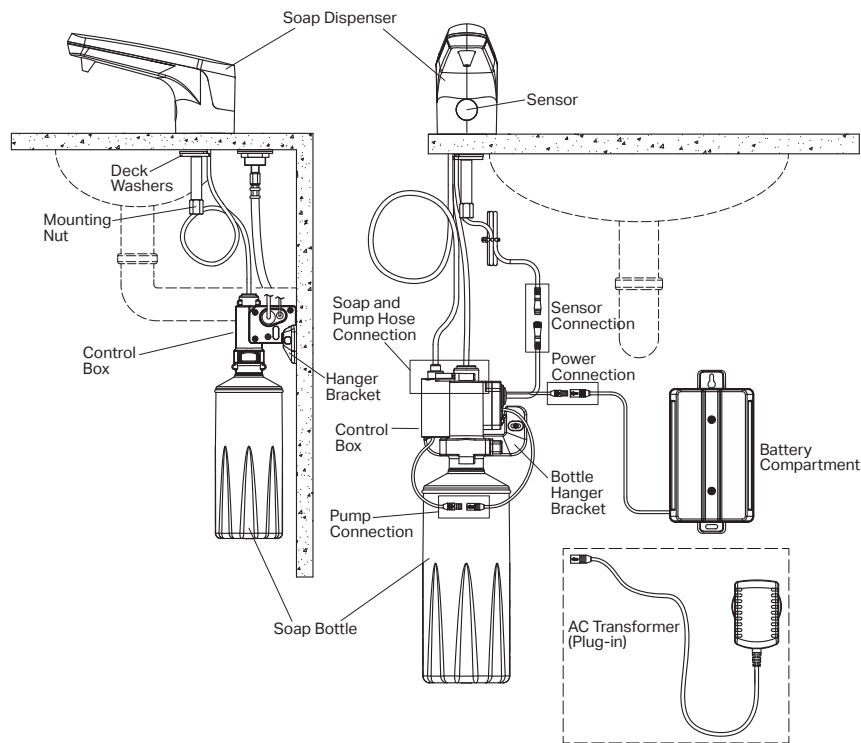
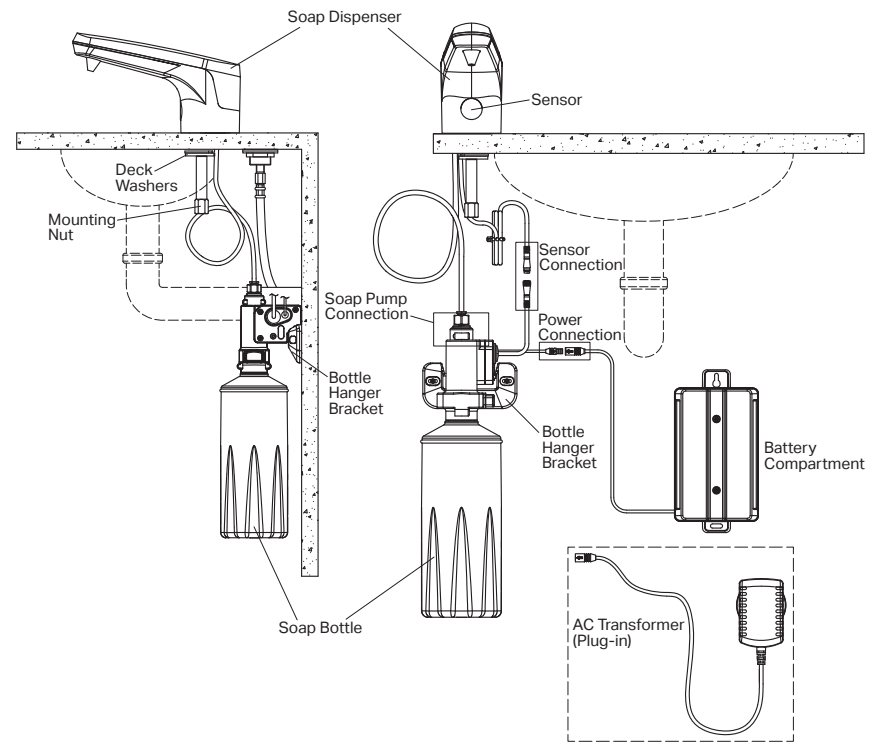


Figure 4: Installation for Liquid Soap Dispenser



Care and Maintenance

Periodic inspection and yearly maintenance by a licensed contractor is required for all thermostatic mixing elements. Corrosive water conditions and/or unauthorized adjustments or repair could render the thermostatic valve ineffective for service intended. Regular checking and cleaning of the valve's internal components and check stops helps assure maximum life and proper product function. Frequency of cleaning and inspection depends on local water conditions. All Chicago Faucets fittings are designed and engineered to meet or exceed industry performance standards. Care should be taken when cleaning this product. Do not use abrasive cleaners, chemicals, or solvents as they can result in surface damage. Use mild soap with warm water for cleaning and protecting the surface of Chicago Faucets fittings.

For additional technical assistance, call 800/TEC-TRUE (800-832-8783) or visit our website at chicagofaucets.com.

CHICAGO FAUCETS LIMITED WARRANTY

TO WHOM DOES THIS WARRANTY APPLY? — The Company extends the following limited warranty to the original user only.

WHAT DOES THIS WARRANTY COVER AND HOW LONG DOES IT LAST?

This warranty covers the following Commercial Products:

LIFETIME FAUCET WARRANTY — The "Faucet," defined as any metal cast, forged, stamped or formed portion of the Product, not including electronic or moving parts or other products separately covered by this Limited Warranty or water restricting components or other components, is warranted against material manufacturing defects for the life of the Product.

FIVE YEAR FAUCET WARRANTY — Certain Products and portions of the Product are warranted against material manufacturing defects for a period of five (5) years from the date of Product purchase. Products warranted against material manufacturing defects for a period of five (5) years from the date of Product purchase are referred to by the product numbers 42X, 43X, 15XX and E-Tronic® - 4X, 5X, 6X, 7X, 8X and 9X. All zinc die cast portions of Product are warranted against material manufacturing defects for a period of five (5) years from the date of Product purchase.

THREE YEAR ELECTRONICS WARRANTY — Electronic components, including the solenoid, are warranted for three (3) years from the date of installation.

FIVE YEAR CARTRIDGE WARRANTY — The "Cartridge", defined as the metal portion of any Product typically referred to by the product numbers containing 1-099, 1-100, 377X, 217X and 274X, excluding any rubber or plastic components, is warranted against material manufacturing defects for a period of five (5) years from the date of Product purchase.

All Cartridges included in the Company's Single Control or Shower Products also are warranted against material manufacturing defects for a period of five (5) years from the date of Product purchase.

ONE YEAR FINISH WARRANTY - COMMERCIAL — For Products used in commercial applications, the finish of the Product is warranted against material manufacturing defects for a period of one (1) year from the date of Product purchase.

OTHER WARRANTIES — All other Products not covered above are warranted against material manufacturing defects for a period of one (1) year from the date of Product purchase.

Other restrictions and limitations apply. For complete warranty details, call Chicago Faucets Customer Service at 847-803-5000 or visit chicagofaucets.com.

The Chicago Faucet Company
2100 South Clearwater Drive
Des Plaines, IL 60018
Phone: 847/803-5000
Fax: 847/849-1845
Technical: 800/832-8783
www.chicagofaucets.com