

Hand Shower with Drain

150-ADCP, 150-LADCP, 151-ADCP, 151-LADCP, 152-ADCP, 152-LADCP, 153-ADCP, 153-LADCP, 154-ADCP, 154-LADCP Hand Shower Complete Kits.



Geberit Group

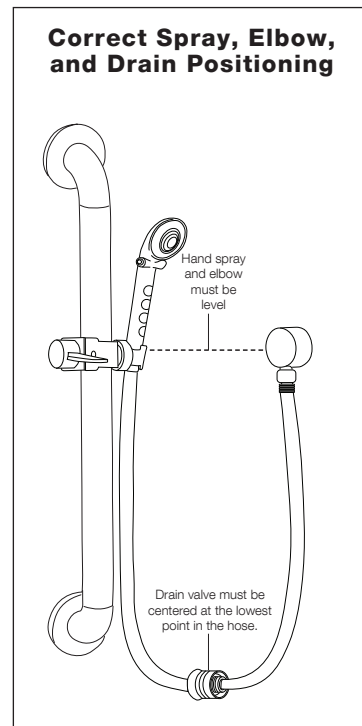
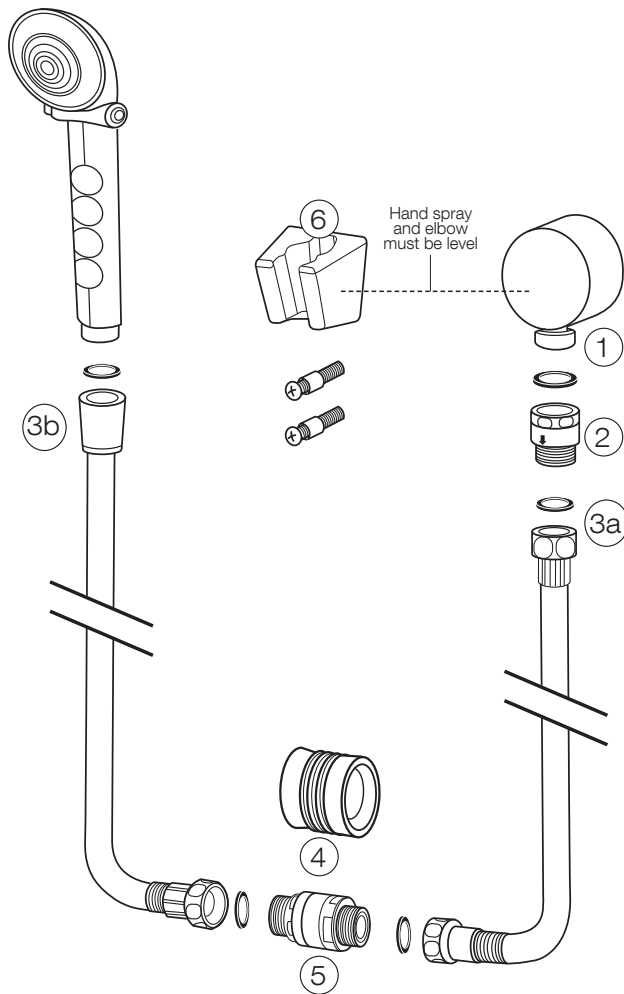
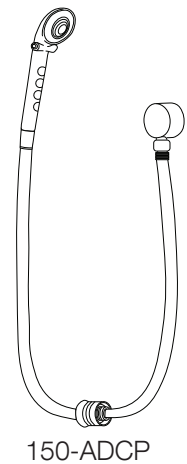
Notice to the Installer

- Read this entire instruction sheet before installing to ensure proper installation.
- Installation must comply with local codes and ordinances.

Pressurized plumbing fittings shall be installed in accordance with manufacturer's recommendations. The supply piping to these devices shall be securely anchored to the building structure to prevent installed device from unnecessary movement when operated by the user. Care shall be exercised when installing the device to prevent marring the exposed surface. NOTE: Installation information is subject to change without notice. Please leave this instruction sheet with the facility manager after completing installation.

Assembly of Hand Shower with Drain:

1. Apply thread seal tape to supply pipe and install wall elbow (1). Note: 1/2"-14 NPT thread is required for hand shower elbow installation.
2. Install atmospheric vent (2) with included gasket to wall elbow (1).
3. Install hose segment (3a) to wall elbow and hose segment (3b) to hand spray.
4. Slide rubber bumper (4) over drain valve (5).
5. Connect the end of each hose to the drain valve (5).
6. Install hand shower holder (6) at same height as exposed elbow and positioned so the drain valve is centered at the lowest point in the hose.



Care and Maintenance

All Chicago Faucets fittings are designed and engineered to meet or exceed industry performance standards. Care should be taken when cleaning this product. Do not use abrasive cleaners, chemicals or solvents as they can result in surface damage. Use mild soap with warm water for cleaning and protecting the surface of Chicago Faucets fittings.

For additional technical assistance, call 800/TEC-TRUE (800-832-8783) or visit our website at chicago faucets.com.

The Chicago Faucet Company
2100 South Clearwater Drive
Des Plaines, IL 60018
Phone: 847/803-5000
Fax: 847/803-5454
Technical: 800/832-8783
www.chicago faucets.com