

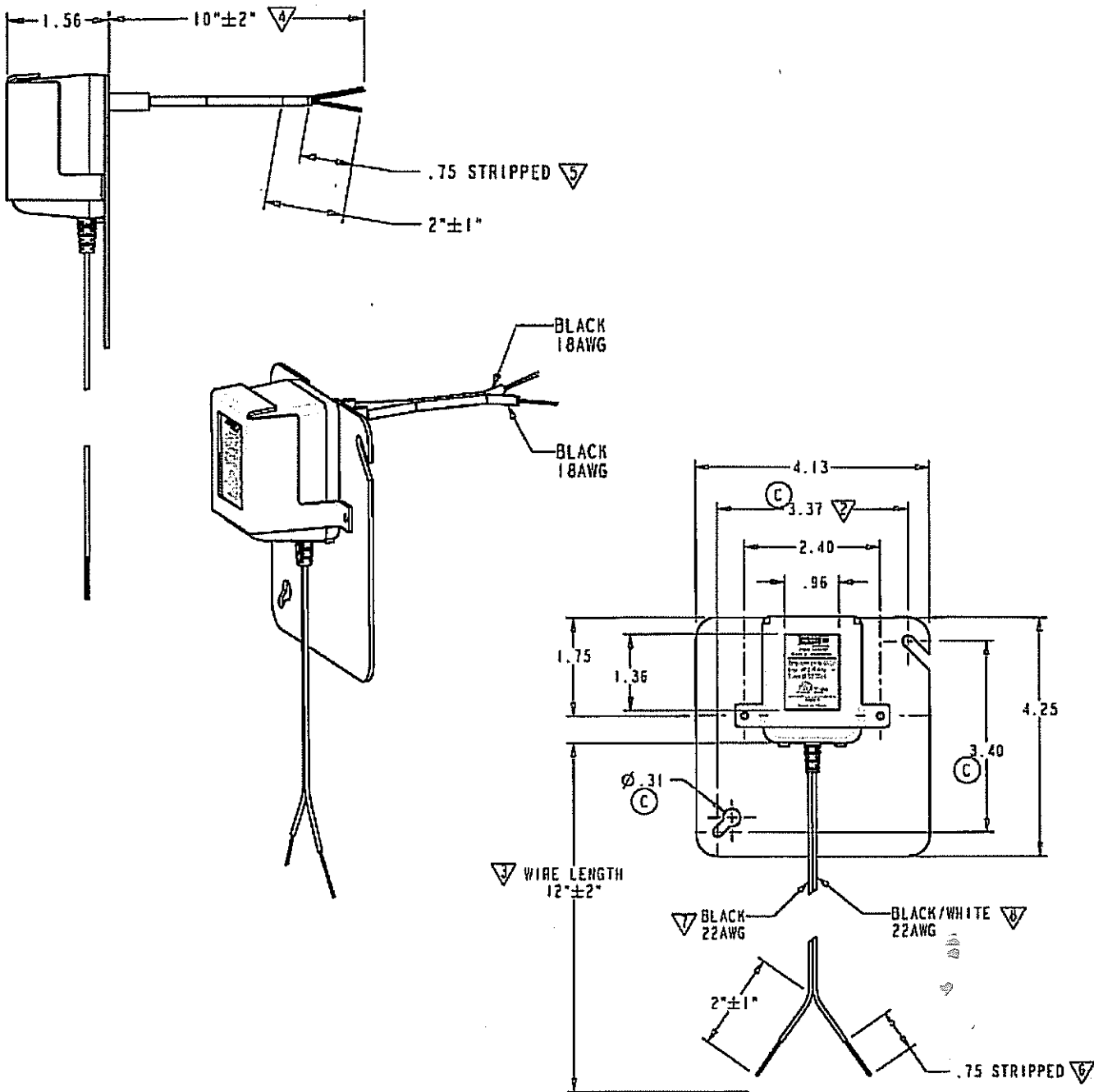
TRANSFORMER

240.631.00.1 Transformer Multi-Use Hardwired



a Geberit company

Fitting No.	240.631.00.1	FOR TECHNICAL ASSISTANCE 1-800-TEC-TRUE (1-800-832-8783)	2100 South Clearwater Drive Des Plaines, IL 60018 Phone: 847-803-5000 Fax: 847-803-5454 www.chicagofaucets.com
Submitted Model No.			
Item No.			



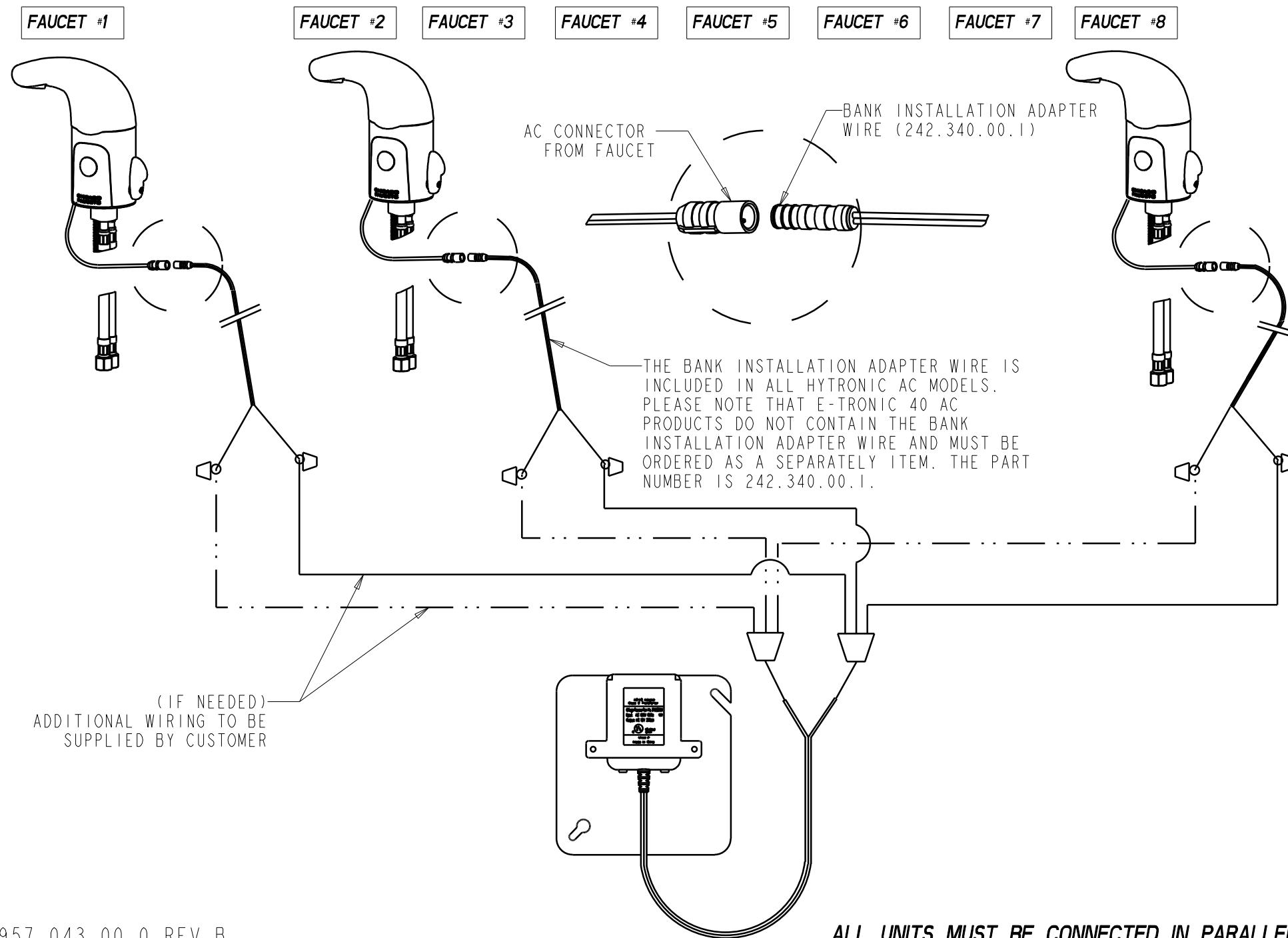
AC/AC ADAPTER SPECIFICATIONS

- Transformer type: class 2
- Connection: Hardwired (standard 4" mounting plate)
- Input voltage: 120VAC 60Hz
- Output voltage: 12VAC
- Output current: 300mA
- Protection: Short circuit (thermal cutout)

REV	DOC NO	CHANGES	DATE	BY
A	ECN 07-035	PRODUCTION RELEASE	04-10-07	RRS
B	ECN 10-030	UPDATED PRINT NOTE	06-23-10	MMC

Chicago Faucets HyTronic & E-TRONIC 40 Electronic Faucet Multi-Use Hardwire Transformer Installation Instruction

Multi-use hardwire transformer (Chicago Faucets Part Number 240.631.00.1) can be used to connect up to 8 HyTronic Electronic Faucets.



NOTES:

1. ALL INFORMATION CONTAINED IN DRAWING FIELD SHALL BE SHOWN ON INSTALLATION INSTRUCTION DOCUMENT.
2. ARTWORK SHOWN ON DRAWING FOR REFERENCE ONLY. ARTWORK FILE TO BE SUPPLIED BY CHICAGO FAUCETS.
3. PRINT SIZE: 8-1/2" X 11" SHEET. ALL TEXT AND GRAPHIC TO BE BLACK.

957.043.00.0 REV B

<p>CHICAGO FAUCETS a Geberit company</p>	<p>GENERAL TOLERANCES: UNLESS OTHERWISE SPECIFIED X = ±.030 .XX±.010 .XXX±.003 FRACTIONS = ±.010 ANGLES = ± 1° REMOVE BURRS AND BREAK SHARP EDGES .005-.015 CORNER FILLETS .005-.020 RADIUS DO NOT SCALE PRINT - DIMENSIONS IN INCHES</p>	<p>FINISH: ---</p> <p>WEIGHT: Lbs./Pc.</p>	<p>MATERIAL: 20# PAPER</p> <p>DESCRIPTION: HYTRONIC MULTI-USE TRANSFORMER INSTRUCTION</p>
	<p>DRAWING SIZE: B</p> <p>THIRD ANGLE PROJECTION</p>	<p>THIS DRAWING AND THE PART IT REPRESENTS IS PROPRIETARY AND CONFIDENTIAL. DO NOT REPRINT OR REDISTRIBUTE WITHOUT WRITTEN CONSENT OF THE CHICAGO FAUCETS COMPANY 2100 S CLEARWATER DR. DES PLAINES, ILLINOIS 60018-5999</p>	<p>WETTED VOLUME: 0.000 IN³</p> <p>WETTED AREA: 0.000 IN²</p>