

# Repair Parts

E80-A11F-67ABMB

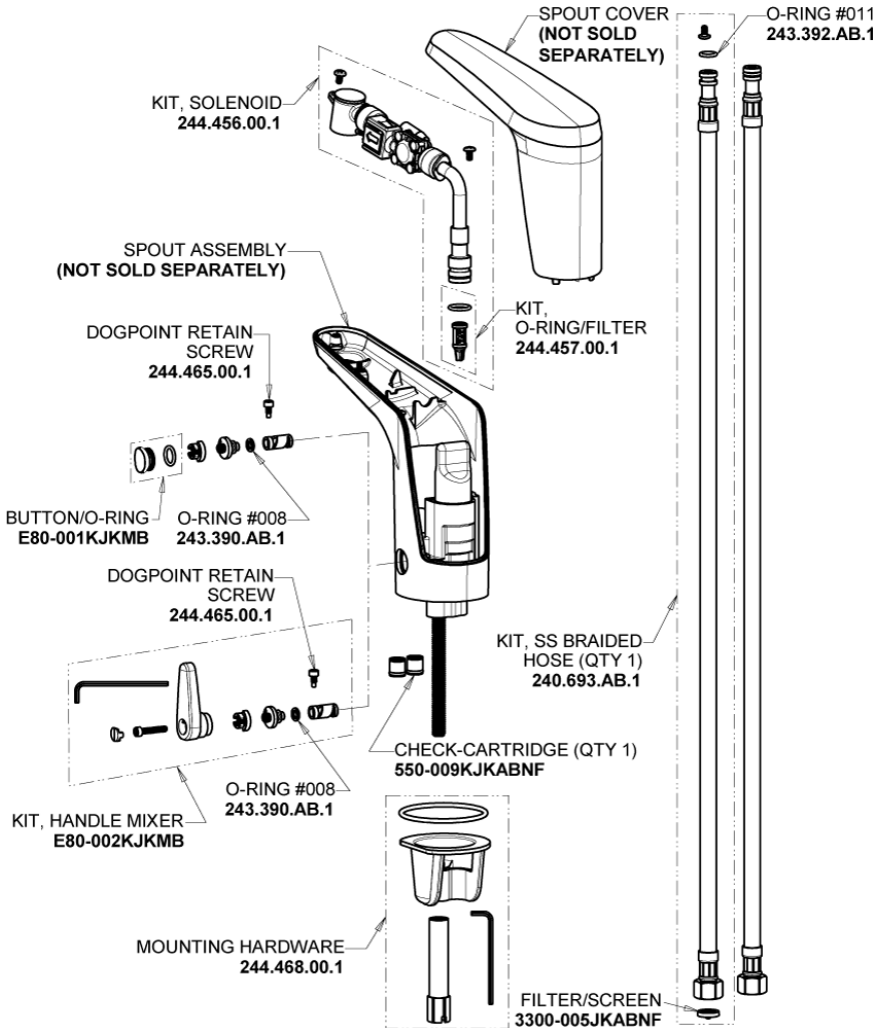
Advanced electronic commercial faucet with touchless sensor operation and ASSE 1070 scald protection

# CHICAGO FAUCETS®

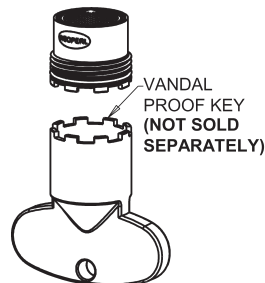
Geberit Group

E-Tronic 80 Base with Thermostatic Mixer

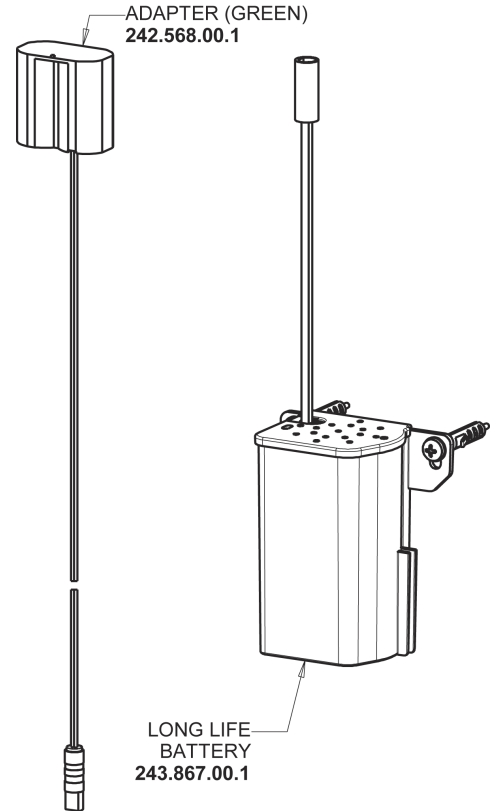
## Base Parts:



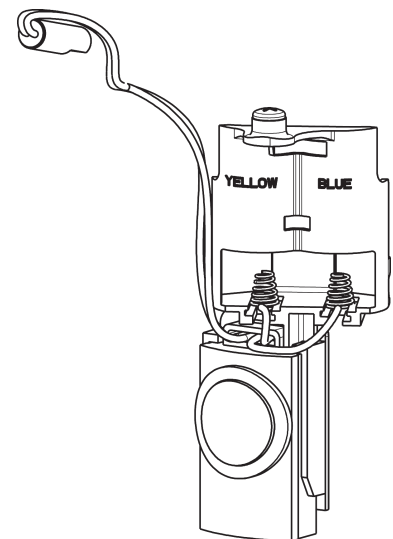
1.5 GPM (5.7 L/min) Pressure Compensating Laminar Flow Outlet  
244.169.00.1



Long Life Battery Kit  
243.868.00.1



Electronic Module  
244.458.00.1



## For Technical Assistance:

Phone: 800-TEC-TRUE (832-8783)

Email: [techsupport.us@chicagofaucets.com](mailto:techsupport.us@chicagofaucets.com)

2100 South Clearwater Drive

Des Plaines, IL 60018

Phone: 847-803-5000

[chicagofaucets.com](http://chicagofaucets.com)