

Repair Parts

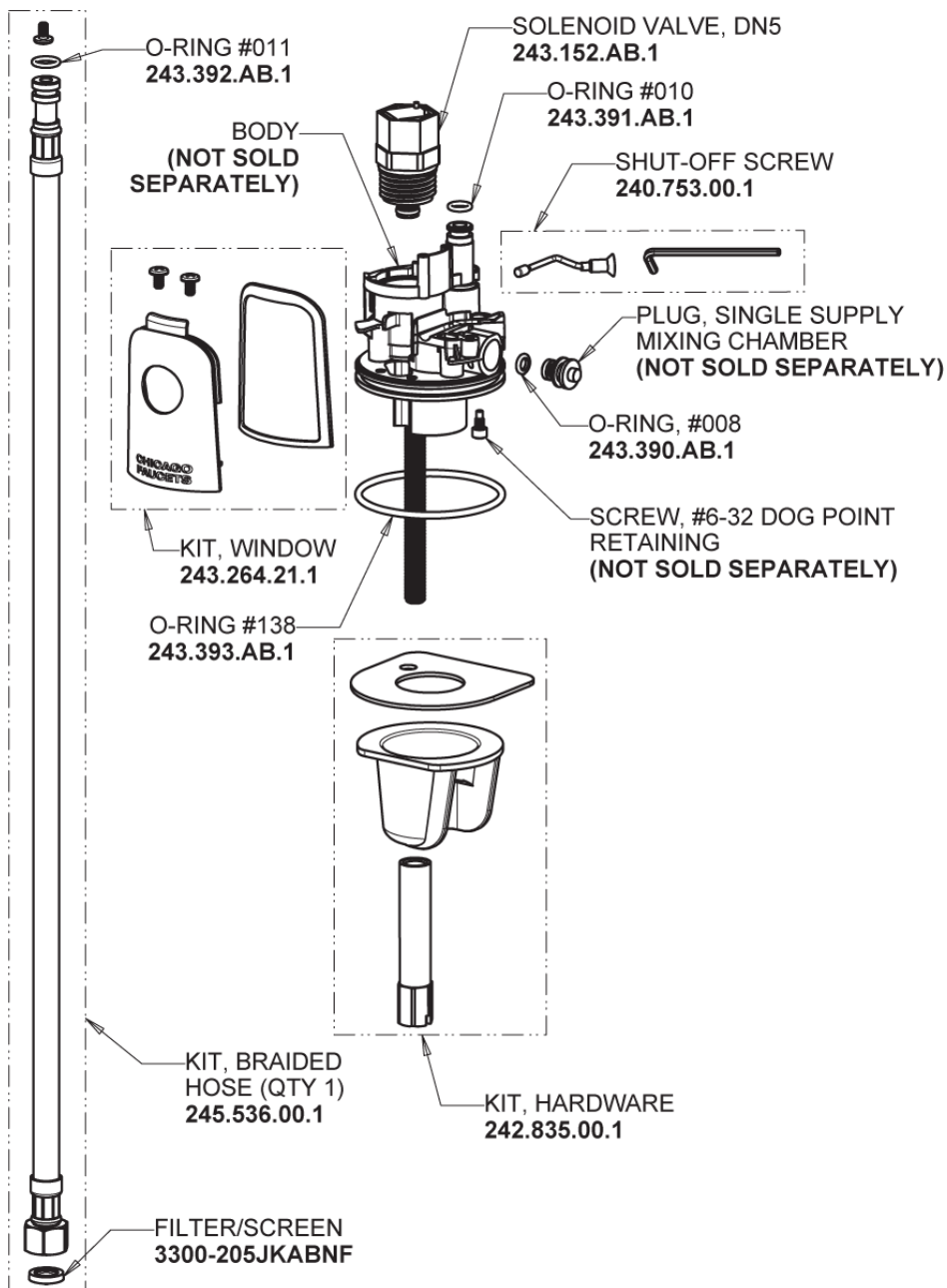
116.960.AB.1T

Touch-free, programmable faucet with above-deck electronics

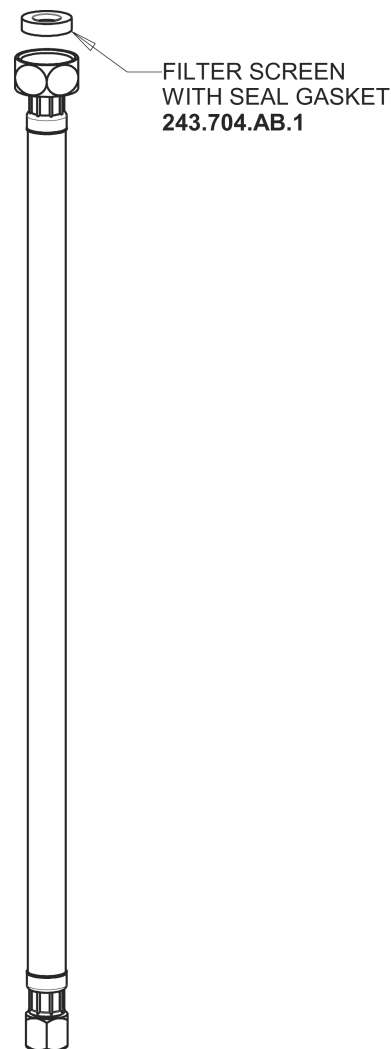
CHICAGO FAUCETS®

Geberit Group

Base Parts:



Hose, 1/2" IPS x 3/8" COM x 24" L
243.705.AB.1



For Technical Assistance:

Phone: 800-TEC-TRUE (832-8783)

Email: techsupport.us@chicagofaucets.com

2100 South Clearwater Drive

Des Plaines, IL 60018

Phone: 847-803-5000

chicagofaucets.com

Repair Parts

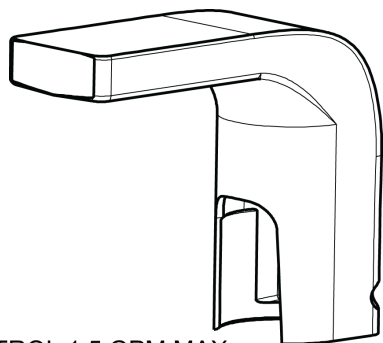
116.960.AB.1T

Touch-free, programmable faucet with above-deck electronics

CHICAGO FAUCETS®

Geberit Group

HyTronic Edge Spout
242.756.AB.1

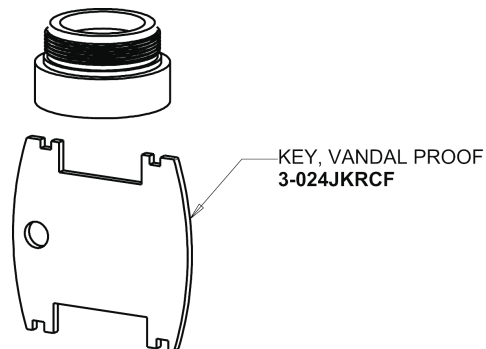


FLOW CONTROL 1.5 GPM MAX
1020-006JKABNF

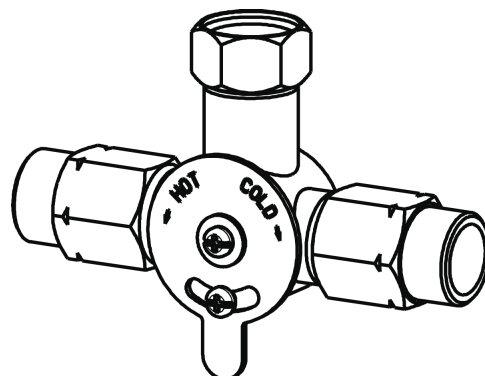
CHECK-CARTRIDGE
550-009KJKABNF

O-RING, #010
243.391.AB.1

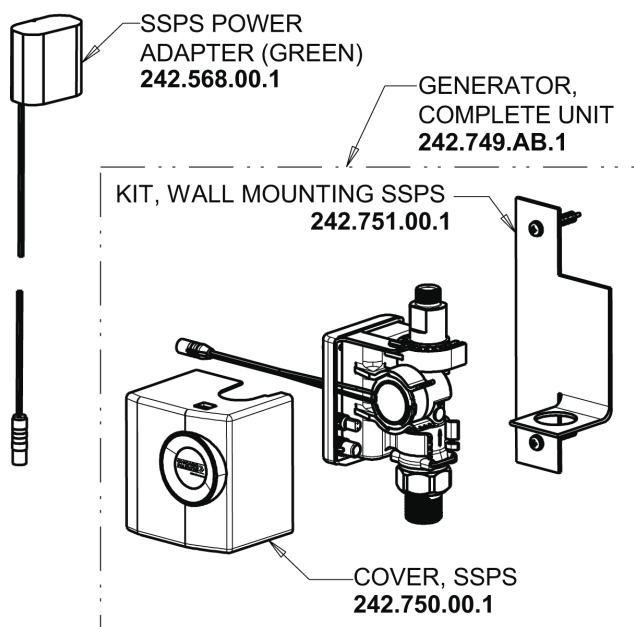
Vandal Proof Non-Aerating Laminar Stream Solidifier Outlet
242.757.AB.1



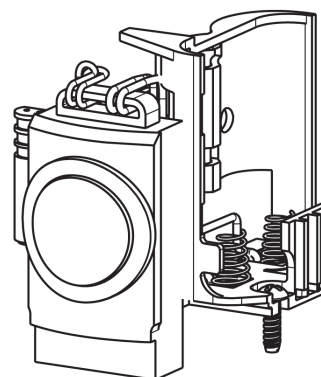
242.165.AB.1



Self Sustaining Power System
SSPS



Electronic Module
242.433.00.1T



For Technical Assistance:

Phone: 800-TEC-TRUE (832-8783)

Email: techsupport.us@chicagofaucets.com

2100 South Clearwater Drive

Des Plaines, IL 60018

Phone: 847-803-5000

chicagofaucets.com