

# Repair Parts

116.879.AB.1T

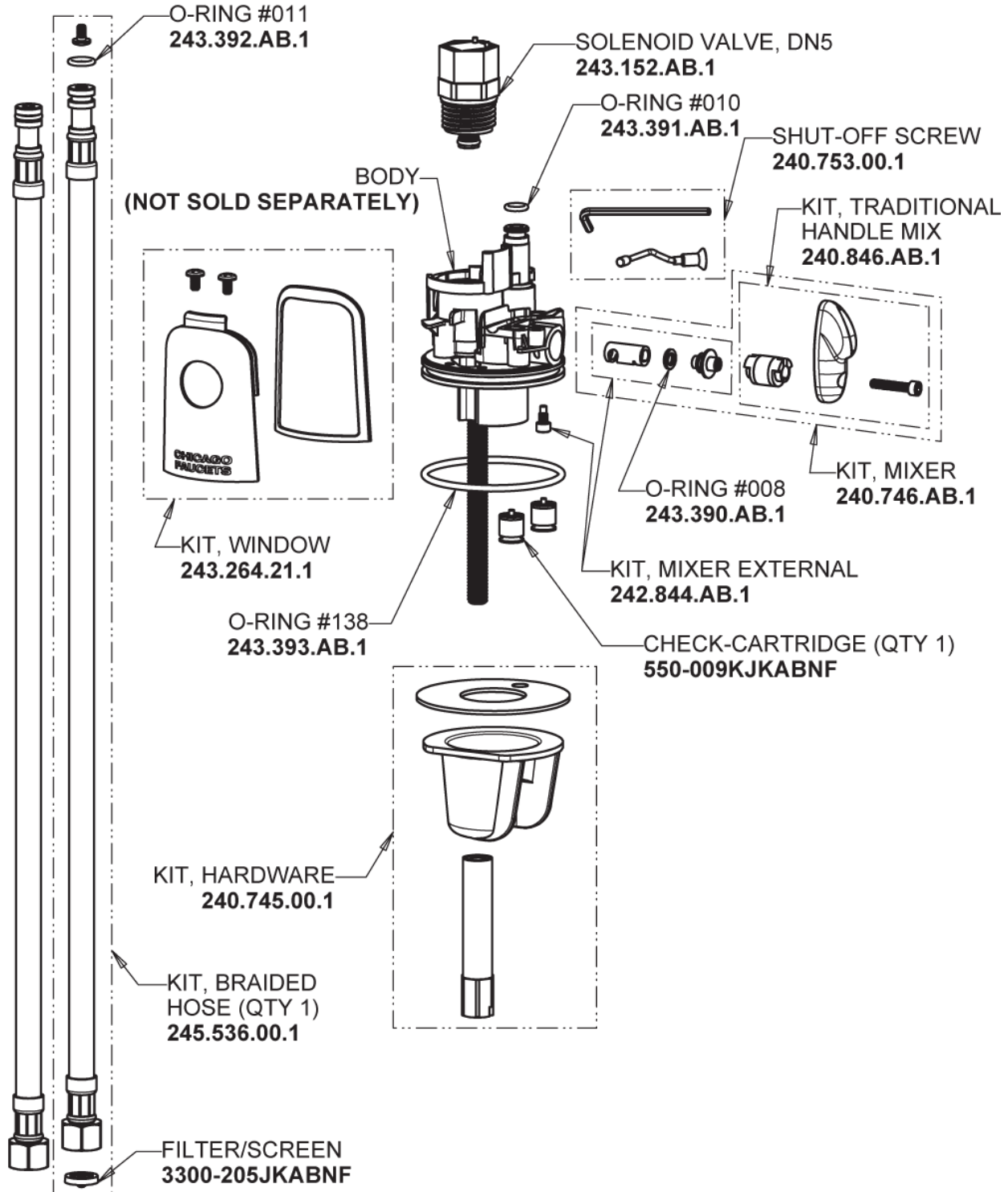
Touch-free, programmable faucet with above-deck electronics

# CHICAGO FAUCETS®

Geberit Group

HyTronic Base with User Temp Control

## Base Parts:



## For Technical Assistance:

Phone: 800-TEC-TRUE (832-8783)

Email: [techsupport.us@chicagofaucets.com](mailto:techsupport.us@chicagofaucets.com)

2100 South Clearwater Drive

Des Plaines, IL 60018

Phone: 847-803-5000

[chicagofaucets.com](http://chicagofaucets.com)

# Repair Parts

116.879.AB.1T

Touch-free, programmable faucet with above-deck electronics

# CHICAGO FAUCETS®

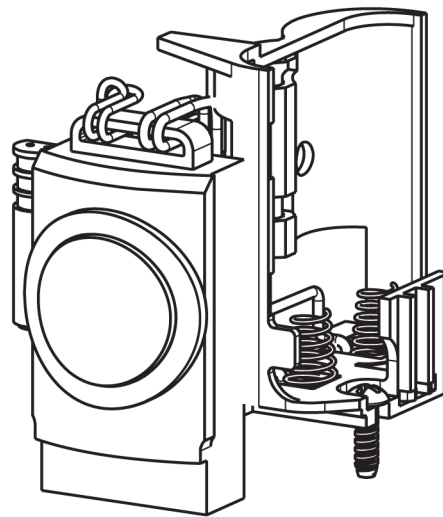
Geberit Group

HyTronic Curve Spout  
242.798.AB.1

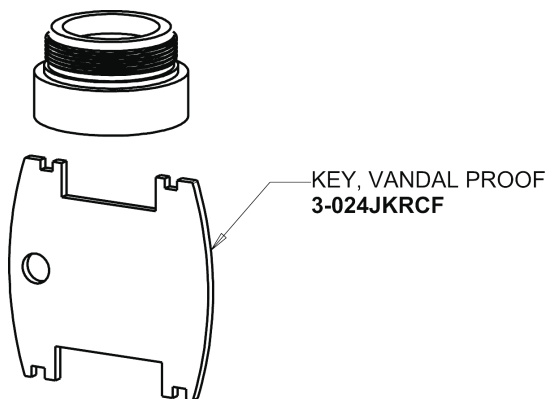


- FLOW CONTROL 1.5 GPM MAX  
1020-006KJKABNF
- CHECK-CARTRIDGE  
550-009KJKABNF
- O-RING #010  
243.391.AB.1

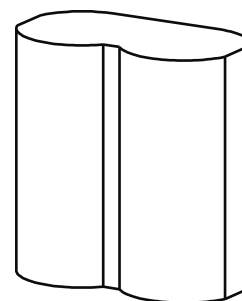
Electronic Module  
242.433.00.1T



Vandal Proof Non-Aerating Laminar Stream Solidifier Outlet  
242.757.AB.1



CR-P2 6V Lithium Battery  
242.560.00.1



## For Technical Assistance:

Phone: 800-TEC-TRUE (832-8783)

Email: [techsupport.us@chicagofaucets.com](mailto:techsupport.us@chicagofaucets.com)

2100 South Clearwater Drive

Des Plaines, IL 60018

Phone: 847-803-5000

[chicagofaucets.com](http://chicagofaucets.com)