

# Repair Parts

116.664.AB.1T

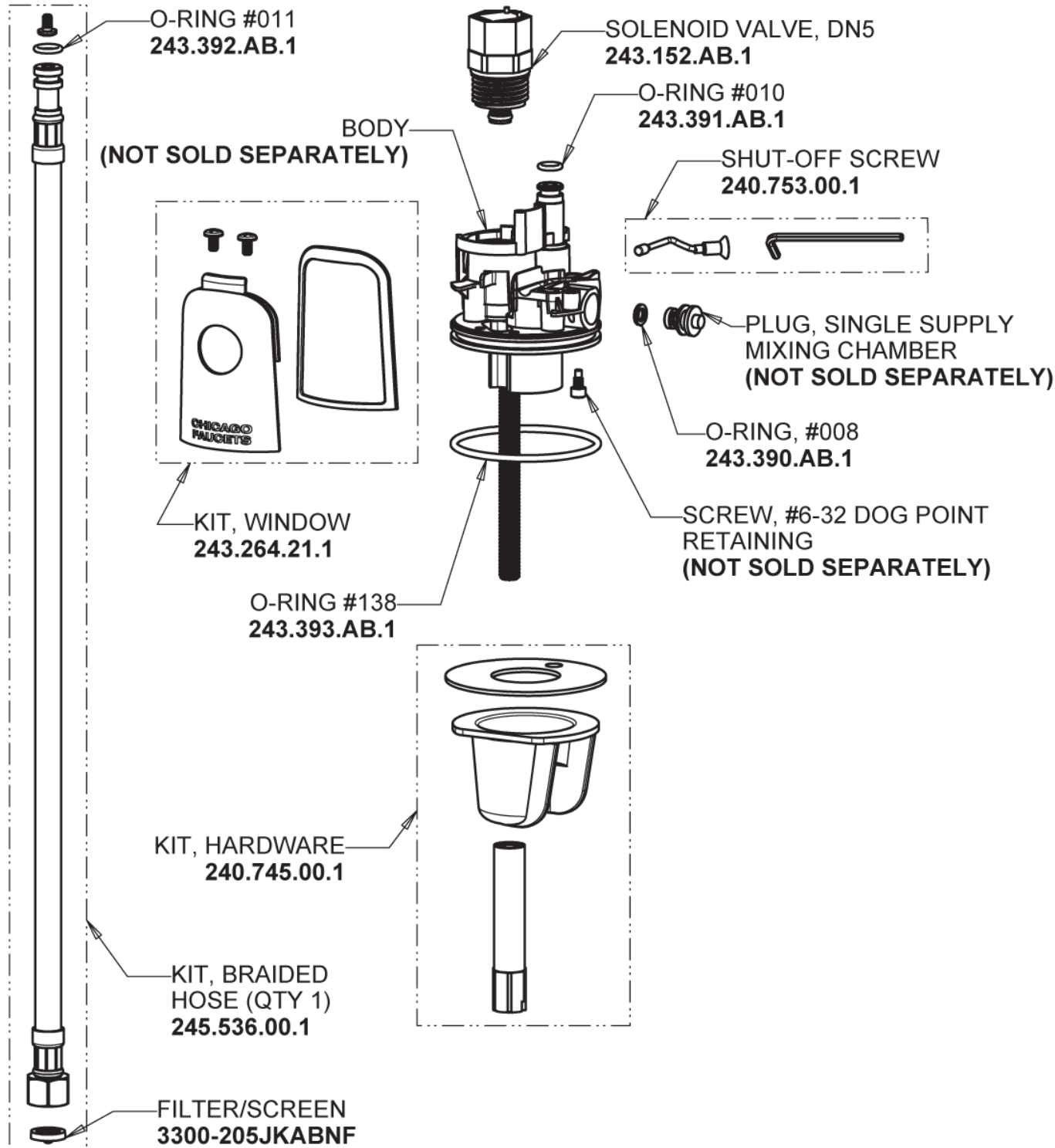
Touch-free, programmable faucet with above-deck electronics

# CHICAGO FAUCETS®

Geberit Group

HyTronic Base, No Mixer

## Base Parts:



## For Technical Assistance:

Phone: 800-TEC-TRUE (832-8783)

Email: [techsupport.us@chicagofaucets.com](mailto:techsupport.us@chicagofaucets.com)

2100 South Clearwater Drive

Des Plaines, IL 60018

Phone: 847-803-5000

[chicagofaucets.com](http://chicagofaucets.com)

# Repair Parts

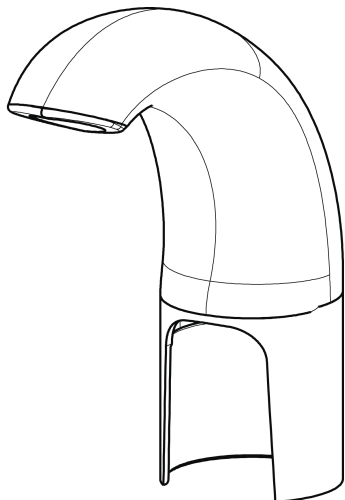
116.664.AB.1T

Touch-free, programmable faucet with above-deck electronics

# CHICAGO FAUCETS®

Geberit Group

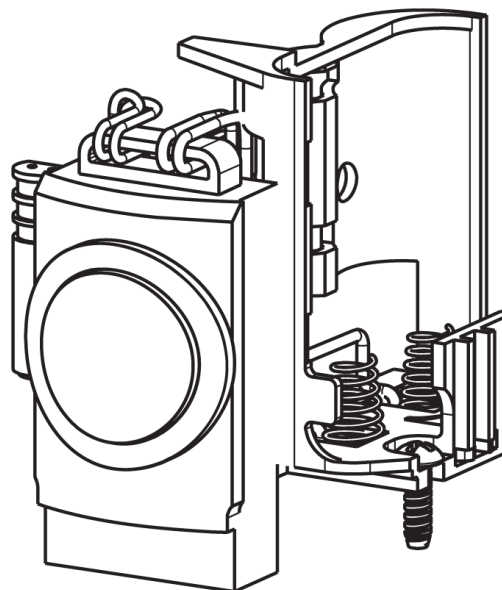
HyTronic Contemporary Spout  
**240.729.AB.1**



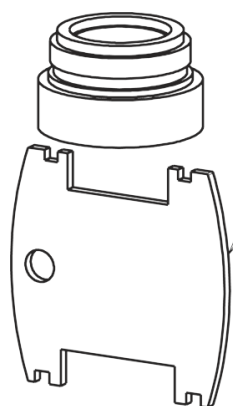
CHECK-CARTRIDGE  
**550-009KJKABNF**

O-RING, #010  
**243.391.AB.1**

Electronic Module  
**242.433.00.1T**

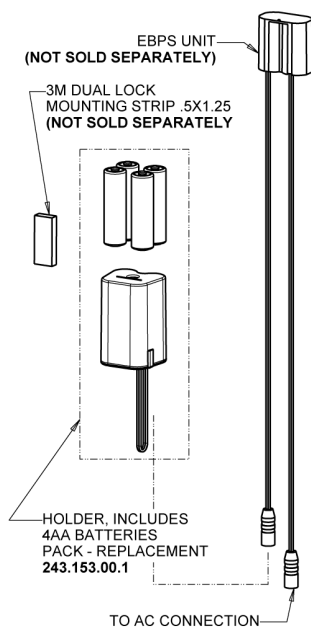


0.35 GPM (1.3 L/min) Vandal Proof  
Econo-Flo Non-Aerating Outlet  
**E39VPJKABCP**



VANDAL PROOF KEY  
**3-024JKRCF**

Emergency Backup Power System  
(EBPS)  
**EBPS-001JKNF**



ERROR:  
No image found.

## For Technical Assistance:

Phone: 800-TEC-TRUE (832-8783)

Email: [techsupport.us@chicagofaucets.com](mailto:techsupport.us@chicagofaucets.com)

2100 South Clearwater Drive  
Des Plaines, IL 60018  
Phone: 847-803-5000  
[chicagofaucets.com](http://chicagofaucets.com)