

# Repair Parts

116.649.AB.4T

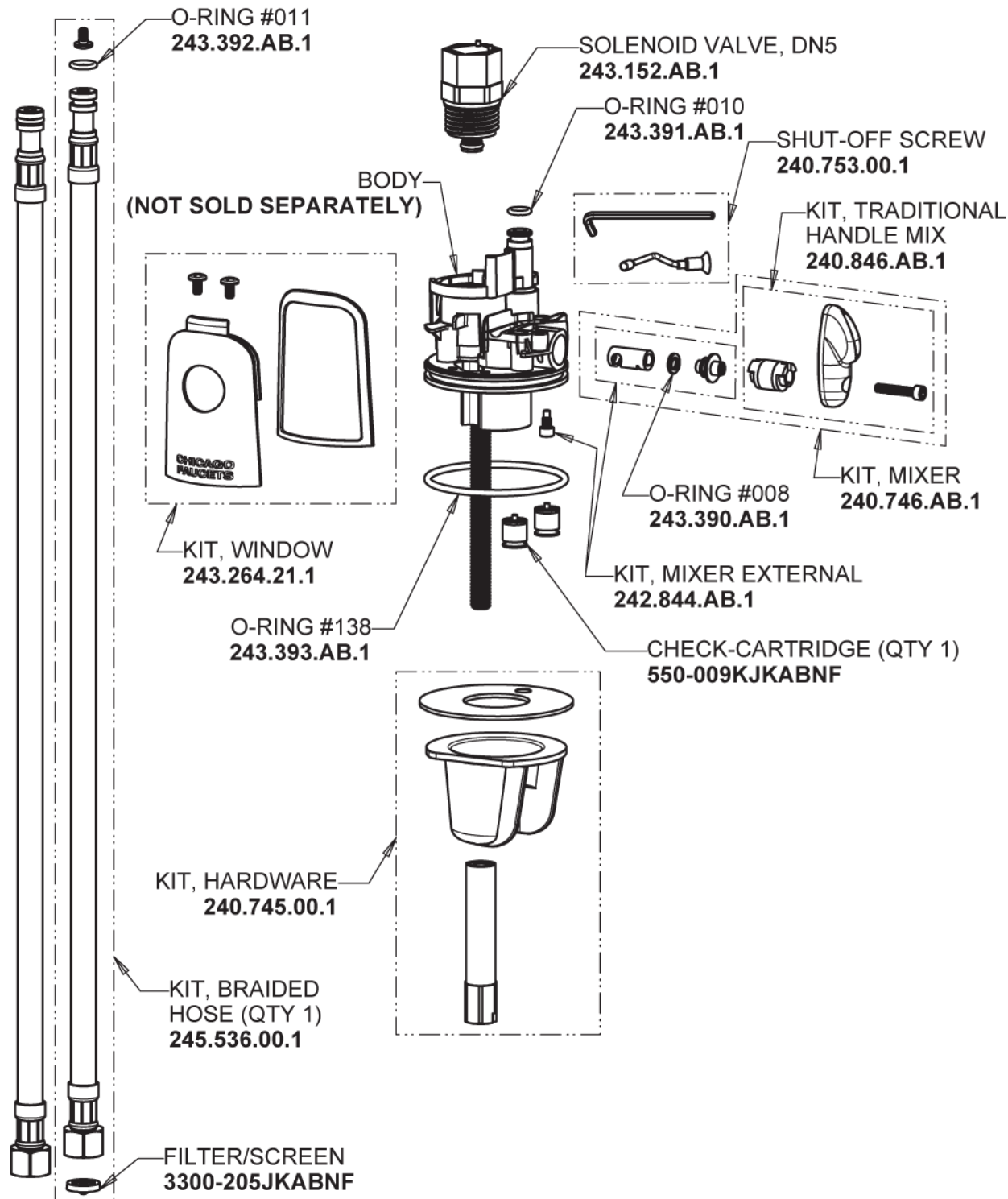
Touch-free, programmable faucet with above-deck electronics

# CHICAGO FAUCETS®

Geberit Group

HyTronic Base with User Temp Control

## Base Parts:



## For Technical Assistance:

Phone: 800-TEC-TRUE (832-8783)

Email: [techsupport.us@chicagofaucets.com](mailto:techsupport.us@chicagofaucets.com)

2100 South Clearwater Drive

Des Plaines, IL 60018

Phone: 847-803-5000

[chicagofaucets.com](http://chicagofaucets.com)

# Repair Parts

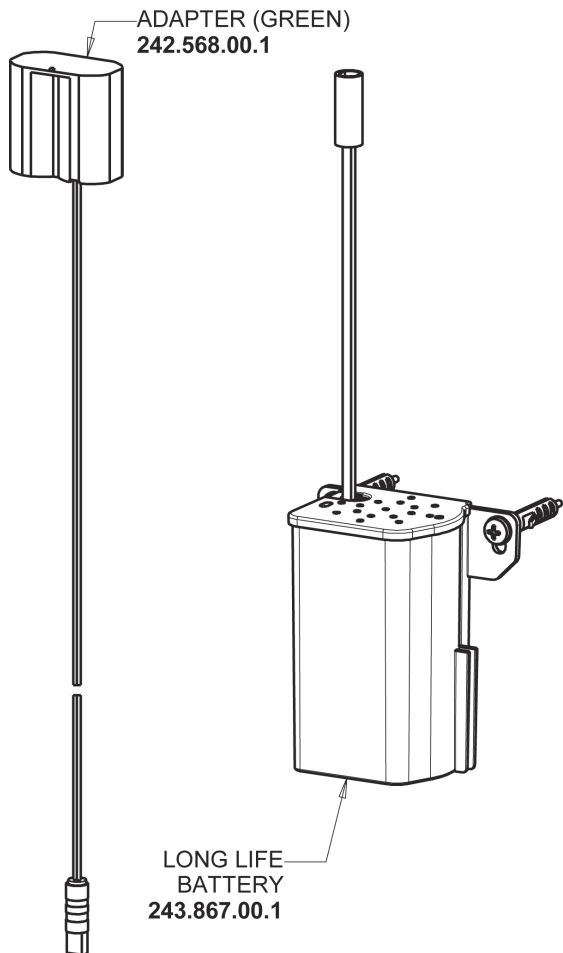
116.649.AB.4T

Touch-free, programmable faucet with above-deck electronics

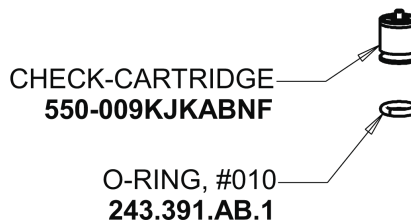
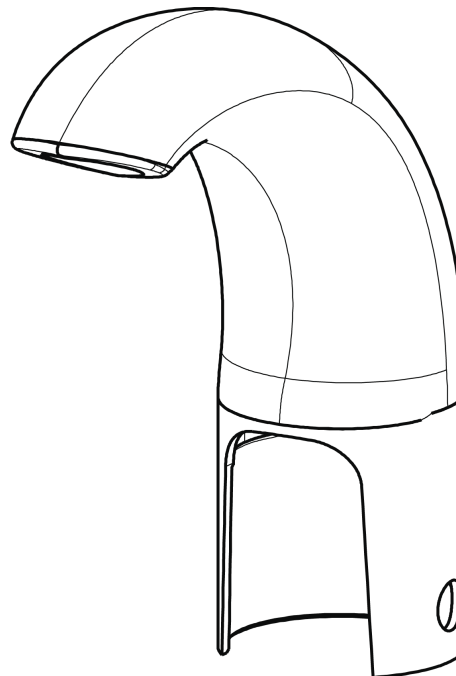
# CHICAGO FAUCETS®

Geberit Group

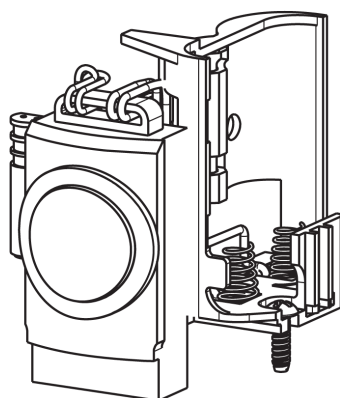
Long Life Battery Kit  
**243.868.00.1**



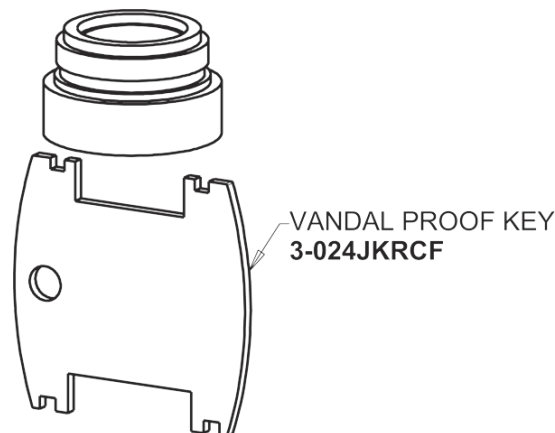
HyTronic Contemporary Spout  
**240.728.AB.1**



Electronic Module  
**242.433.00.1T**



0.35 GPM (1.3 L/min) Vandal Proof Econo-Flo Non-Aerating Outlet  
**E39VPJKABCP**



## For Technical Assistance:

Phone: 800-TEC-TRUE (832-8783)

Email: [techsupport.us@chicagofaucets.com](mailto:techsupport.us@chicagofaucets.com)

2100 South Clearwater Drive  
Des Plaines, IL 60018  
Phone: 847-803-5000  
[chicagofaucets.com](http://chicagofaucets.com)