

# Repair Parts

116.597.AB.1T

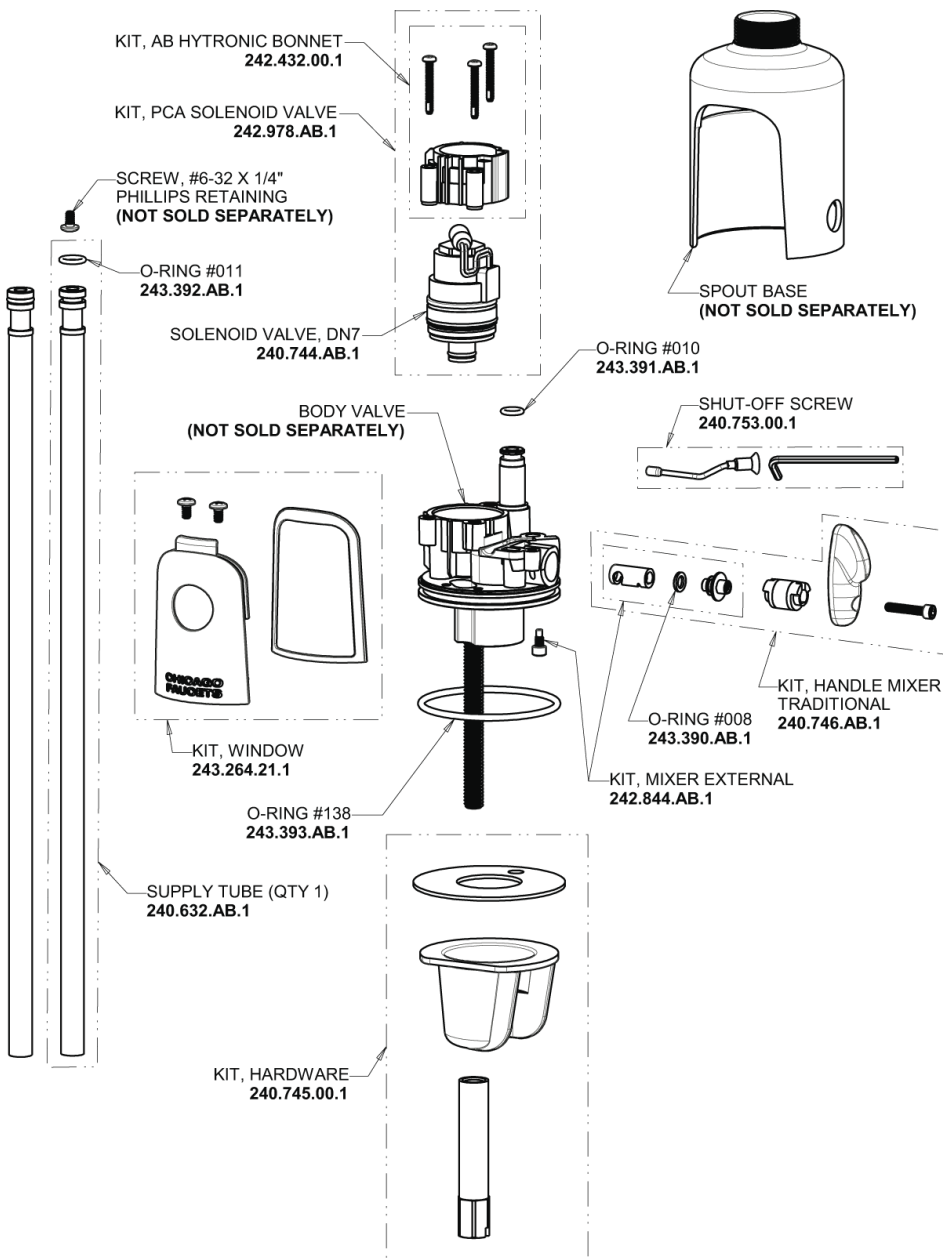
Touch-free, programmable faucet for Patient Care applications

# CHICAGO FAUCETS®

Geberit Group

## Base Parts:

GN2H8FC2KCP



ERROR:  
No image found.

## For Technical Assistance:

Phone: 800-TEC-TRUE (832-8783)

Email: [techsupport.us@chicagofaucets.com](mailto:techsupport.us@chicagofaucets.com)

2100 South Clearwater Drive

Des Plaines, IL 60018

Phone: 847-803-5000

[chicagofaucets.com](http://chicagofaucets.com)

# Repair Parts

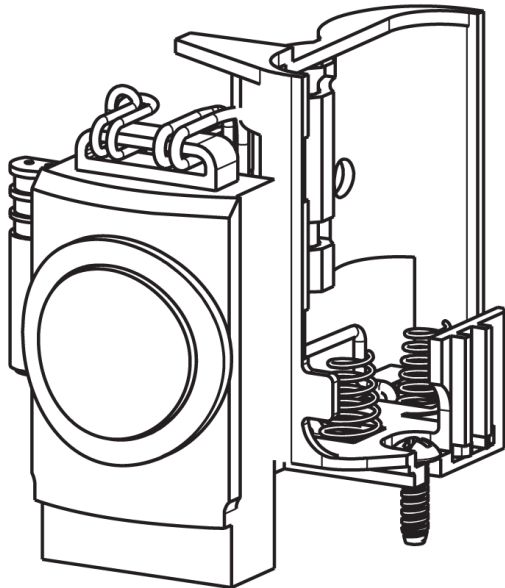
116.597.AB.1T

Touch-free, programmable faucet for Patient Care applications

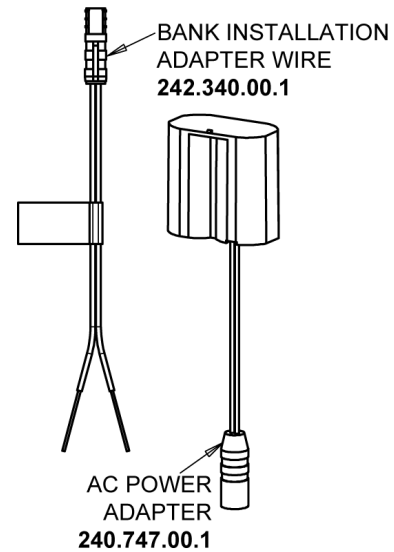
# CHICAGO FAUCETS®

Geberit Group

Electronic Module  
**242.433.00.1T**

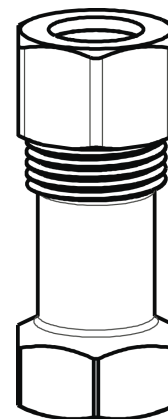


AC Power System  
**AC Power**



ERROR:  
No image found.

Inline Check Valve  
**243.315.AB.1**



## For Technical Assistance:

Phone: 800-TEC-TRUE (832-8783)

Email: [techsupport.us@chicagofaucets.com](mailto:techsupport.us@chicagofaucets.com)

2100 South Clearwater Drive

Des Plaines, IL 60018

Phone: 847-803-5000

[chicagofaucets.com](http://chicagofaucets.com)