

# Repair Parts

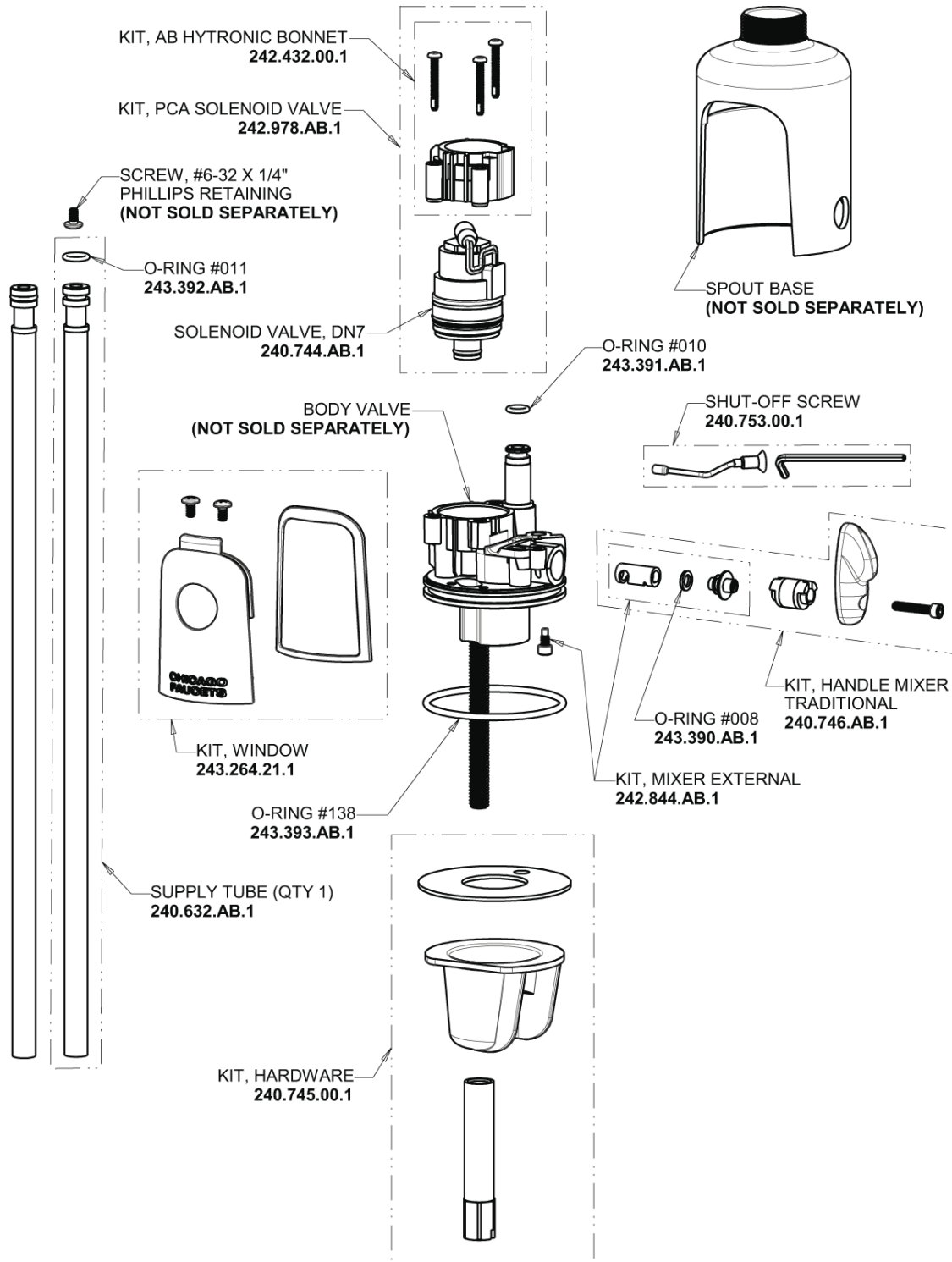
116.596.AB.1T

Touch-free, programmable faucet with above-deck electronics, designed specifically for Patient Care applications

# CHICAGO FAUCETS®

Geberit Group

## Base Parts:



## For Technical Assistance:

Phone: 800-TEC-TRUE (832-8783)

Email: [techsupport.us@chicagofaucets.com](mailto:techsupport.us@chicagofaucets.com)

2100 South Clearwater Drive

Des Plaines, IL 60018

Phone: 847-803-5000

[chicagofaucets.com](http://chicagofaucets.com)

# Repair Parts

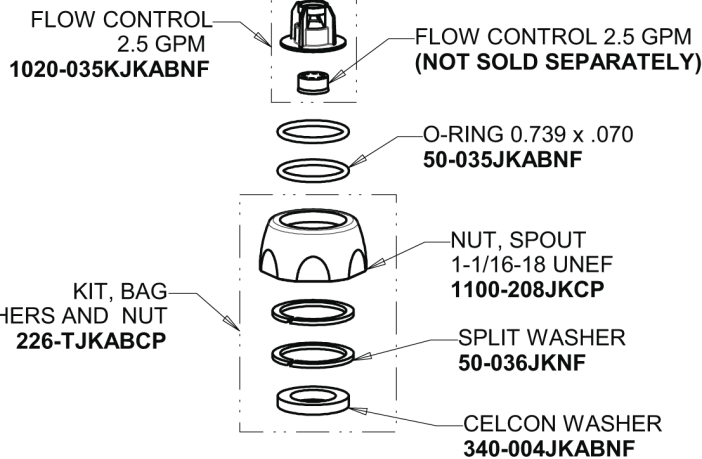
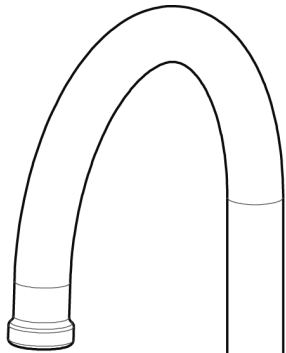
116.596.AB.1T

Touch-free, programmable faucet with above-deck electronics, designed specifically for Patient Care applications

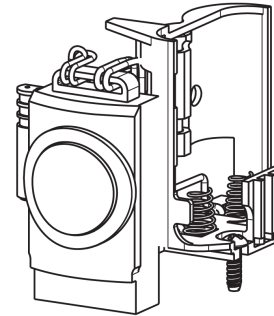
# CHICAGO FAUCETS®

Geberit Group

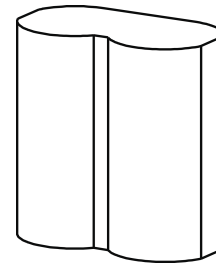
5-1/4" Rigid/Swing Gooseneck Spout with Flow Control  
**GN2H8FC2JKABCP**



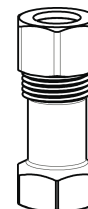
Electronic Module  
**242.433.00.1T**



CR-P2 6V Lithium Battery  
**242.560.00.1**



Inline Check Valve  
**243.315.AB.1**



## For Technical Assistance:

Phone: 800-TEC-TRUE (832-8783)

Email: [techsupport.us@chicagofaucets.com](mailto:techsupport.us@chicagofaucets.com)

2100 South Clearwater Drive

Des Plaines, IL 60018

Phone: 847-803-5000

[chicagofaucets.com](http://chicagofaucets.com)