

# Repair Parts

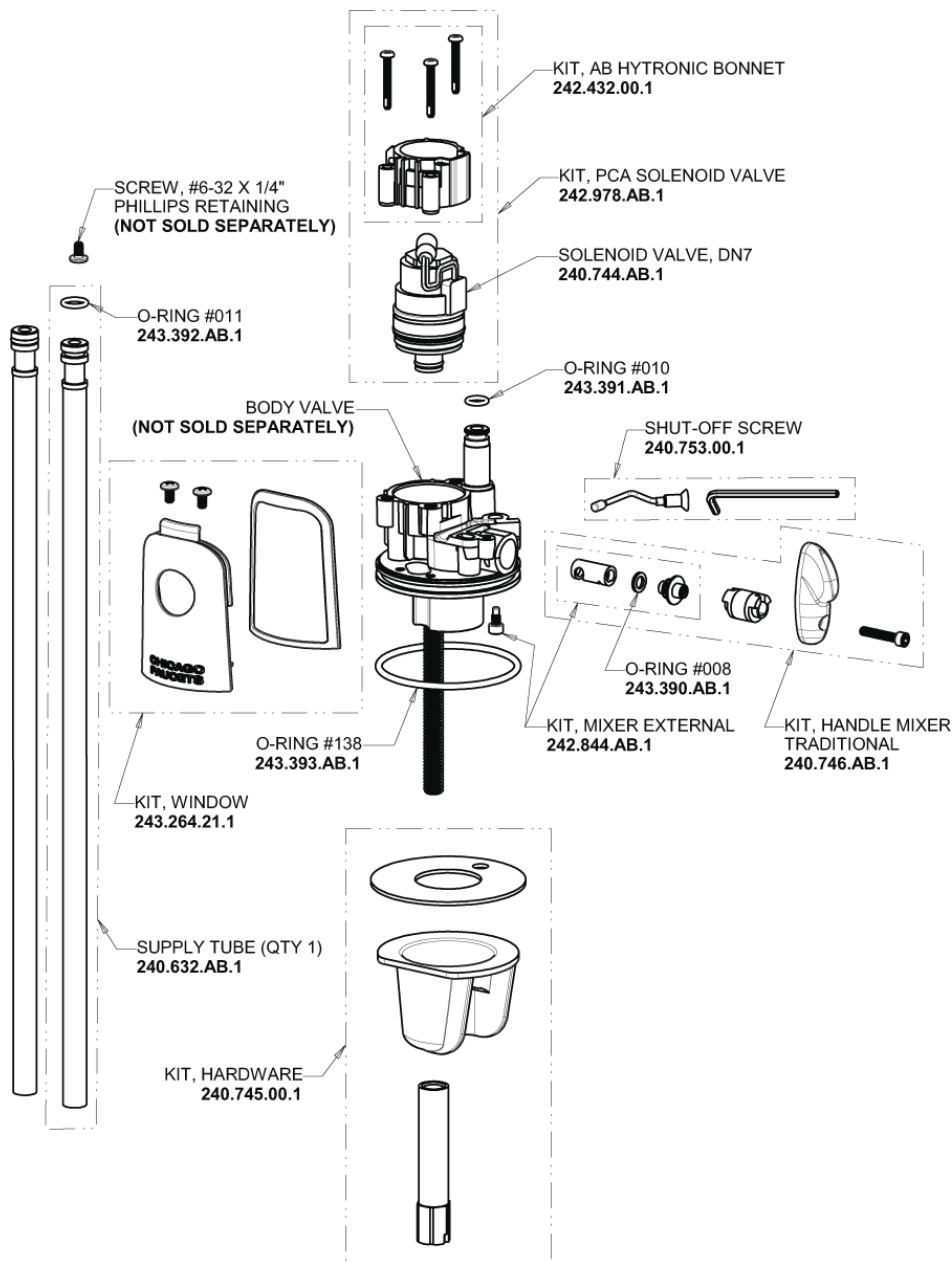
116.593.AB.1T

Touch-free, programmable faucet for Patient Care applications

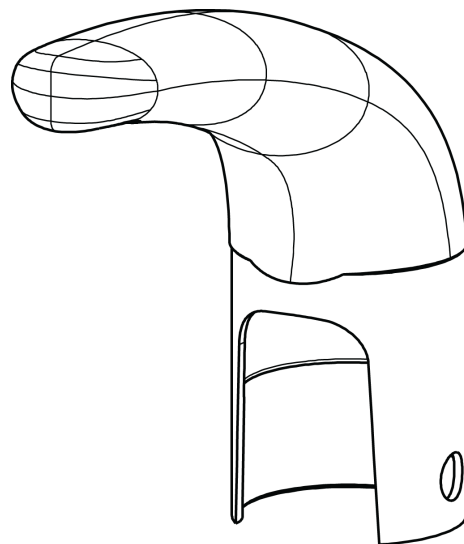
# CHICAGO FAUCETS®

Geberit Group

## Base Parts:



HyTronic Traditional Spout  
244.487.00.1



## For Technical Assistance:

Phone: 800-TEC-TRUE (832-8783)

Email: [techsupport.us@chicagofaucets.com](mailto:techsupport.us@chicagofaucets.com)

2100 South Clearwater Drive

Des Plaines, IL 60018

Phone: 847-803-5000

[chicagofaucets.com](http://chicagofaucets.com)

# Repair Parts

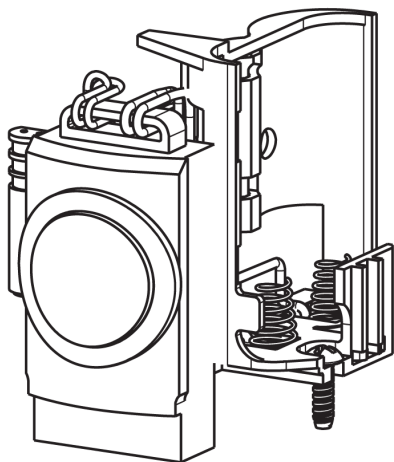
116.593.AB.1T

Touch-free, programmable faucet for Patient Care applications

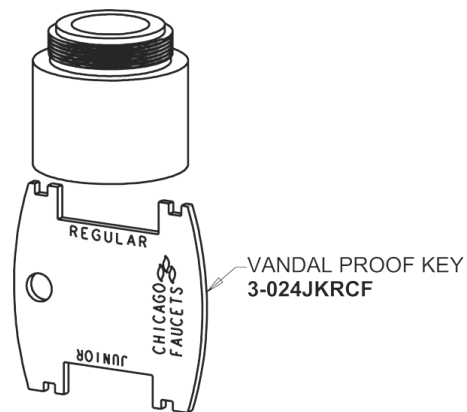
# CHICAGO FAUCETS®

Geberit Group

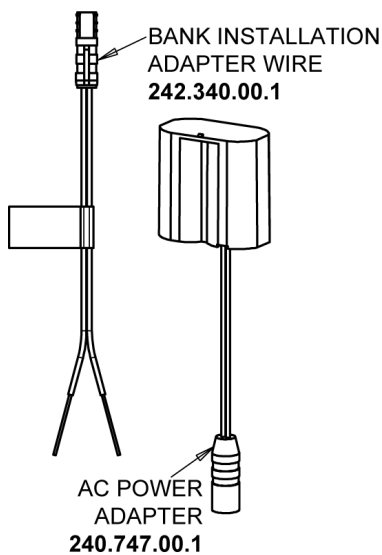
Electronic Module  
**242.433.00.1T**



1.5 GPM (5.7 L/min) Vandal Proof Antimicrobial Non-Aerating  
Laminar Outlet  
**E62VPJKABCP**

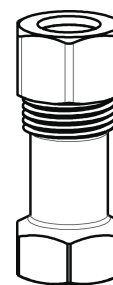


AC Power System  
**AC Power**



ERROR:  
No image found.

Inline Check Valve  
**243.315.AB.1**



## For Technical Assistance:

Phone: 800-TEC-TRUE (832-8783)

Email: [techsupport.us@chicagofaucets.com](mailto:techsupport.us@chicagofaucets.com)

2100 South Clearwater Drive

Des Plaines, IL 60018

Phone: 847-803-5000

[chicagofaucets.com](http://chicagofaucets.com)