

# Repair Parts

116.224.AB.1T

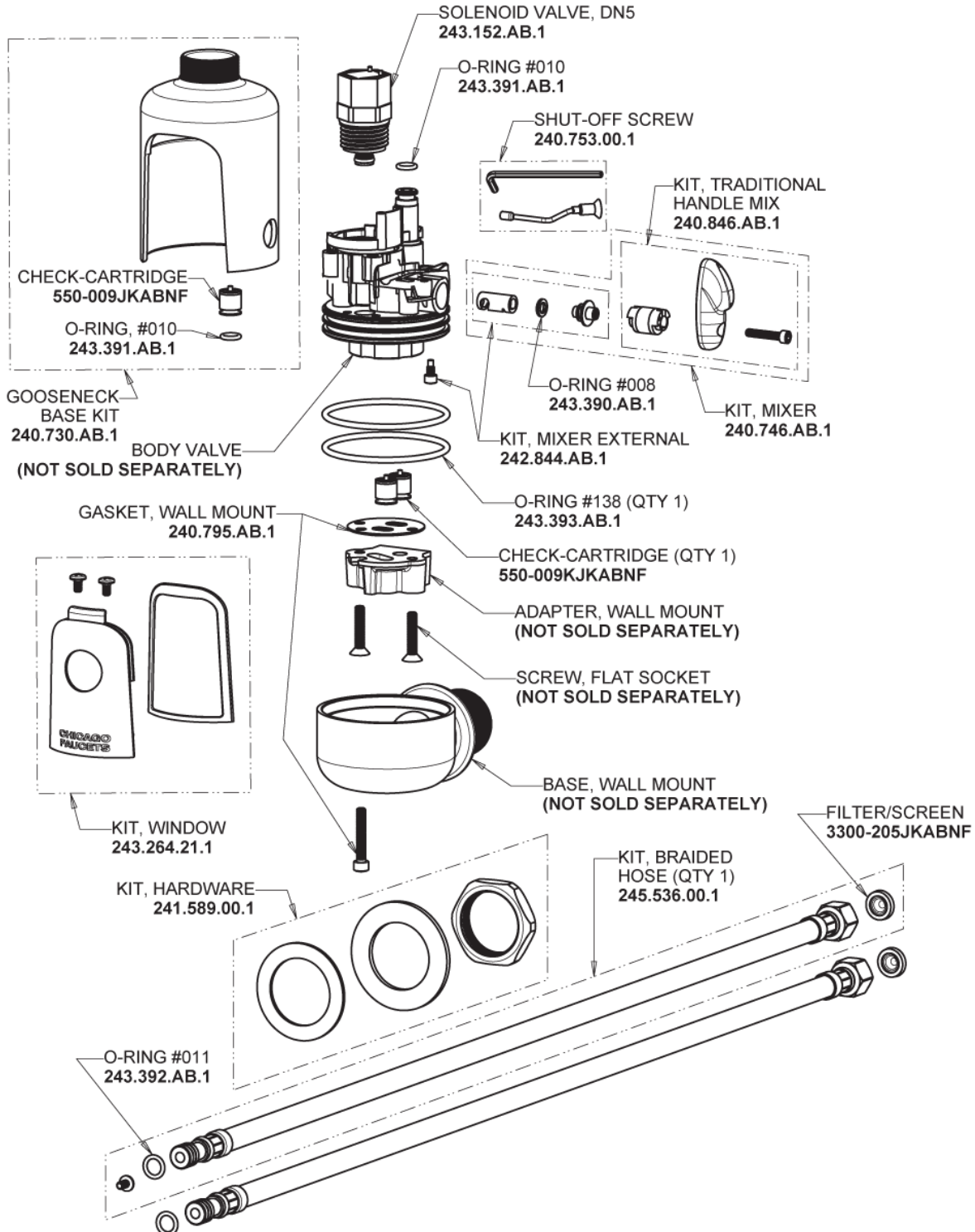
Touch-free, programmable faucet with above-deck electronics

# CHICAGO FAUCETS®

Geberit Group

HyTronic Base for Wall with User Temp Control

## Base Parts:



## For Technical Assistance:

Phone: 800-TEC-TRUE (832-8783)

Email: [techsupport.us@chicagofaucets.com](mailto:techsupport.us@chicagofaucets.com)

2100 South Clearwater Drive

Des Plaines, IL 60018

Phone: 847-803-5000

[chicagofaucets.com](http://chicagofaucets.com)

# Repair Parts

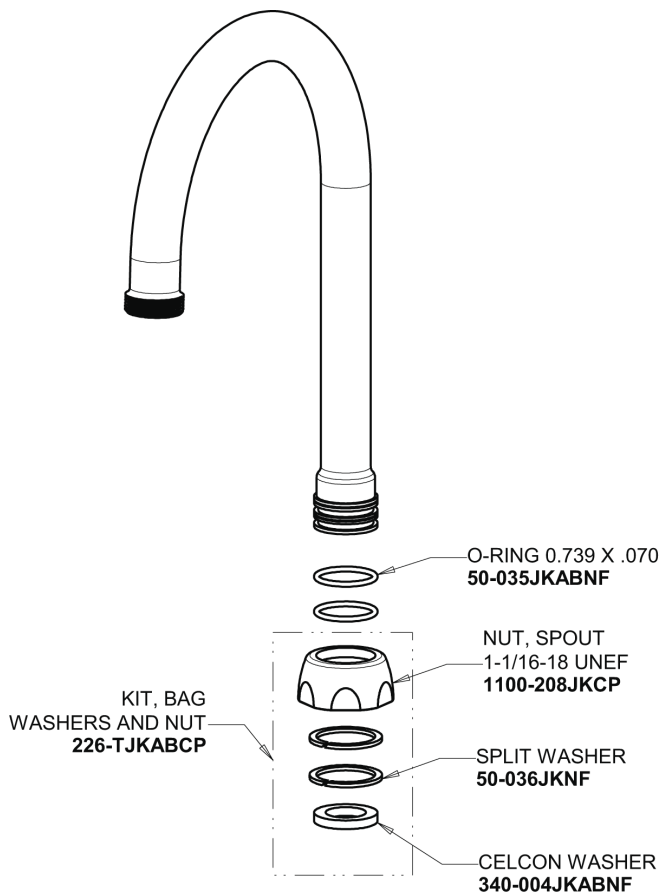
116.224.AB.1T

Touch-free, programmable faucet with above-deck electronics

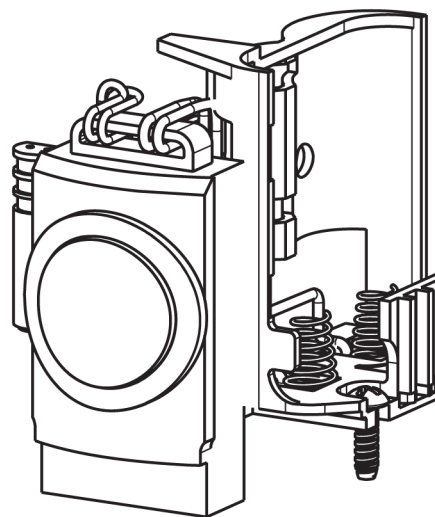
# CHICAGO FAUCETS®

Geberit Group

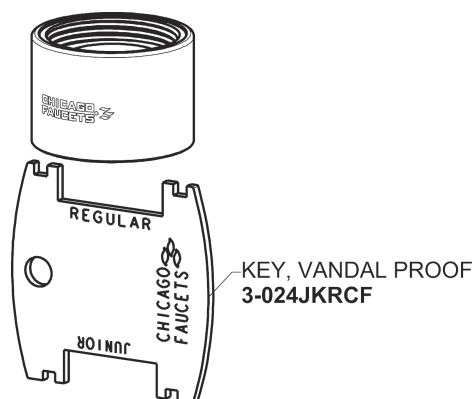
5-1/4" Rigid / Swing Gooseneck Spout  
**GN2AH8JKABCP**



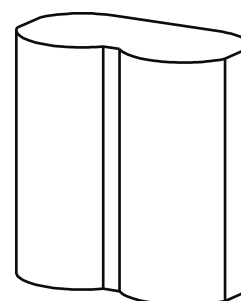
Electronic Module  
**242.433.00.1T**



0.5 GPM (1.9 L/min) Vandal Proof Non-Aerating Spray Outlet  
**E2805-5JKABCP**



CR-P2 6V Lithium Battery  
**242.560.00.1**



## For Technical Assistance:

Phone: 800-TEC-TRUE (832-8783)

Email: [techsupport.us@chicagofaucets.com](mailto:techsupport.us@chicagofaucets.com)

2100 South Clearwater Drive

Des Plaines, IL 60018

Phone: 847-803-5000

[chicagofaucets.com](http://chicagofaucets.com)