

# Repair Parts

116.111.AB.1T

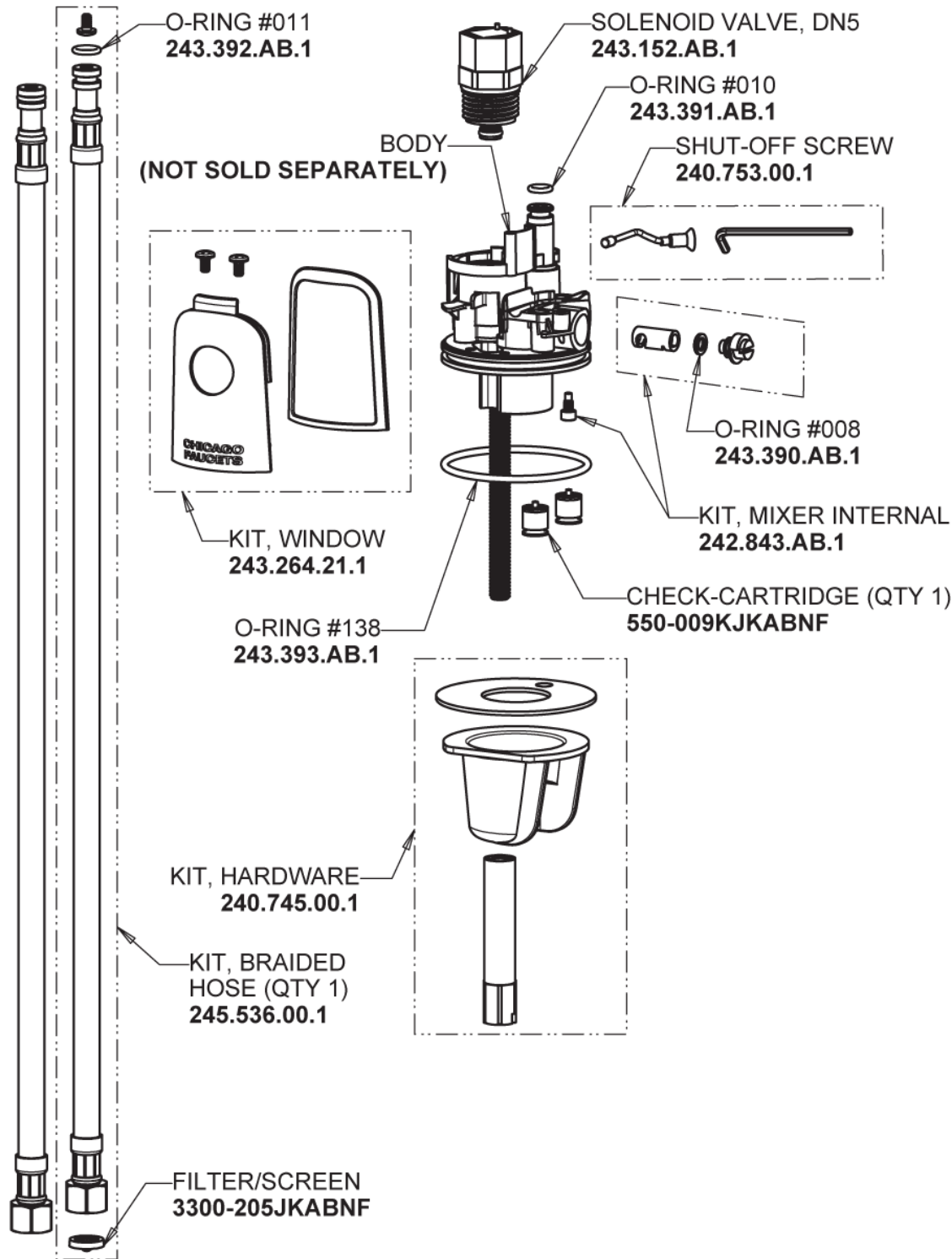
Touch-free, programmable faucet with above-deck electronics

# CHICAGO FAUCETS®

Geberit Group

HyTronic Base with Internal Mixer

## Base Parts:



## For Technical Assistance:

Phone: 800-TEC-TRUE (832-8783)

Email: [techsupport.us@chicagofaucets.com](mailto:techsupport.us@chicagofaucets.com)

2100 South Clearwater Drive

Des Plaines, IL 60018

Phone: 847-803-5000

[chicagofaucets.com](http://chicagofaucets.com)

# Repair Parts

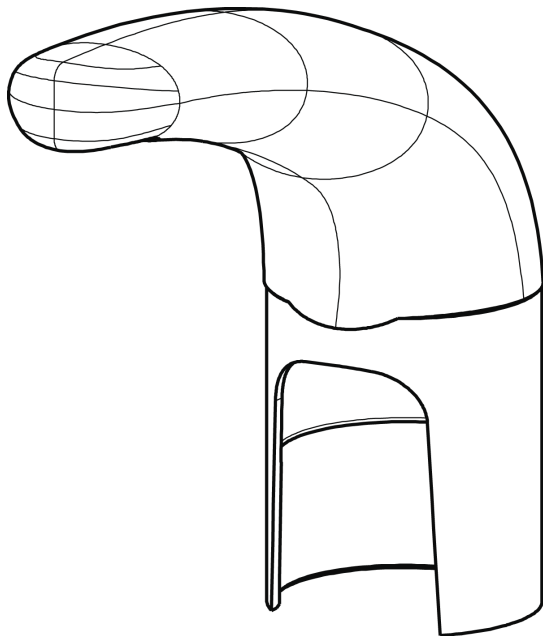
116.111.AB.1T

Touch-free, programmable faucet with above-deck electronics

# CHICAGO FAUCETS®

Geberit Group

HyTronic Traditional Spout  
240.724.AB.1



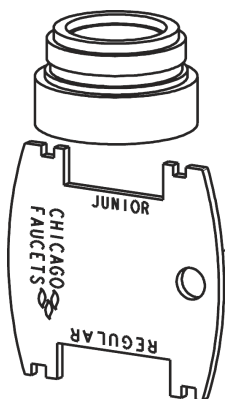
CHECK-CARTRIDGE  
550-009KJKABNF



O-RING, #010  
243.391.AB.1

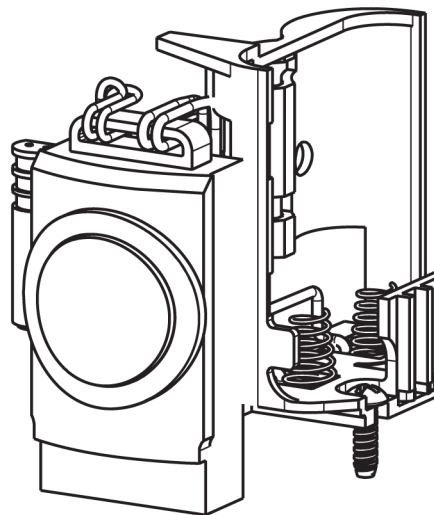


0.5 GPM (1.9 L/min) Vandal Proof Econo-Flo Non-Aerating  
Spray  
E2805JKABCP

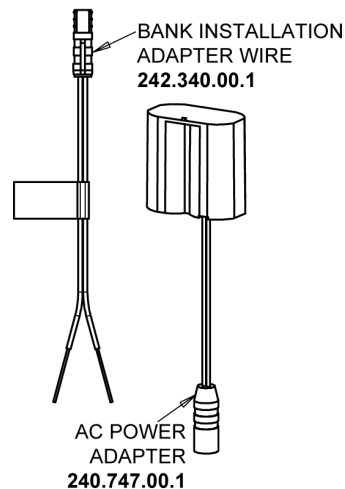


VANDAL PROOF KEY  
3-024JKRCF

Electronic Module  
242.433.00.1T



AC Power System  
AC Power



## For Technical Assistance:

Phone: 800-TEC-TRUE (832-8783)

Email: [techsupport.us@chicagofaucets.com](mailto:techsupport.us@chicagofaucets.com)

2100 South Clearwater Drive  
Des Plaines, IL 60018  
Phone: 847-803-5000  
[chicagofaucets.com](http://chicagofaucets.com)