

CHICAGO FAUCETS
a Geberit company

2100 South Clearwater Drive
Des Plaines, IL 60018
Phone: 847-803-5000
Fax: 847-803-5454
www.chicagofaucets.com

REPAIR PARTS

BY: SID DATE: 10-30-01
CHK: *HR* REV: 12-01-16

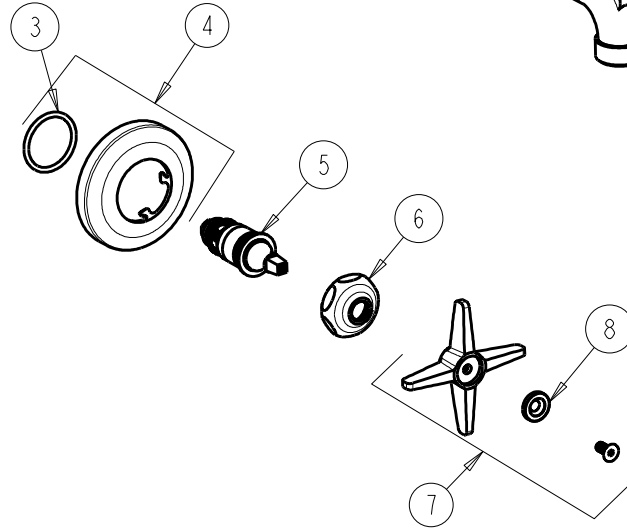
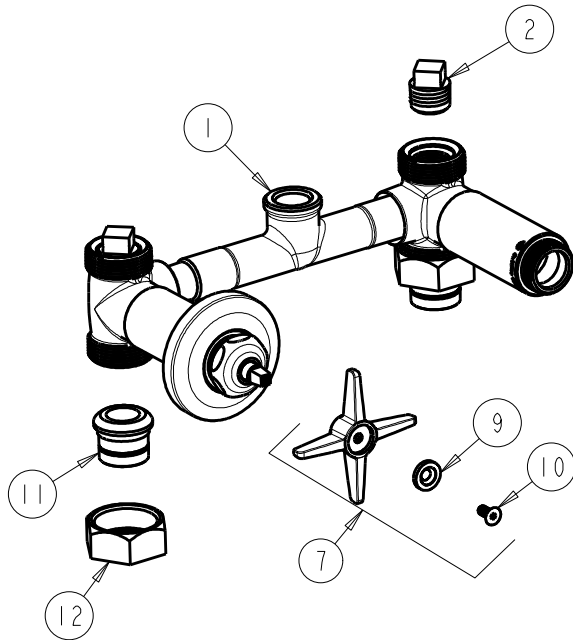
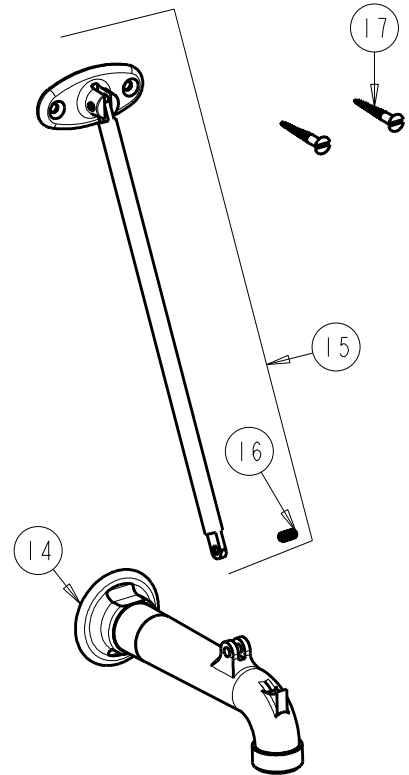
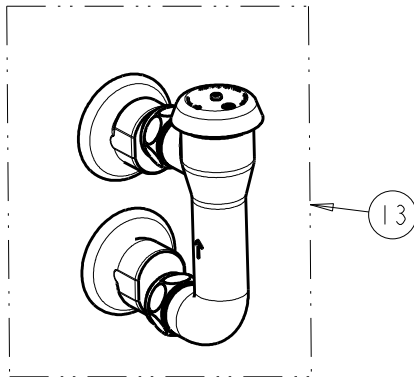
FITTING NO.

911-CP

SUBMITTED MODEL NO.

ITEM NO.

FOR TECHNICAL ASSISTANCE
1-800-TEC-TRUE (1-800-832-8783)



ITEM	PART NO.	DESCRIPTION	ITEM	PART NO.	DESCRIPTION
1	-----	VALVE BODY (NOT SOLD SEPARATELY)	10	420-020JKNF	SCREW, 1/8 FLAT HEX HEAD X 1/2
2	234-032JKABRCF	1/2 NPT PLUG	11	177-003JKABRBF	UNION TAILPIECE
3	5235-107JKNF	O-RING	12	177-002JKCP	UNION NUT
4	633-201JKCP	FLANGE & O-RING	13	892-GABCP	ELEVATED VACUUM BREAKER ASSY.
5	217-XTLHJKABNF	CARTRIDGE, SLO-COMPRESSION (LH)	14	782-001KJKCP	CAST SPOUT ASSEMBLY
6	1-214JKCP	CAP	15	897-013KJKCP	BRACE ROD ASSEMBLY
7	633-PRJKCP	4-ARM HANDLE ASSEMBLY	16	665-116JKNF	SET SCREW
8	633-123JKNF	INDEX BUTTON (BLUE)	17	173-006JKCP	FLAT HEAD WOOD SCREW
9	633-023JKNF	INDEX BUTTON (RED)			