

CHICAGO FAUCETS
a Geberit company

2100 South Clearwater Drive
Des Plaines, IL 60018
Phone: 847-803-5000
Fax: 847-803-5454
www.chicagofaucets.com

REPAIR PARTS

FITTING NO.

835-369CP

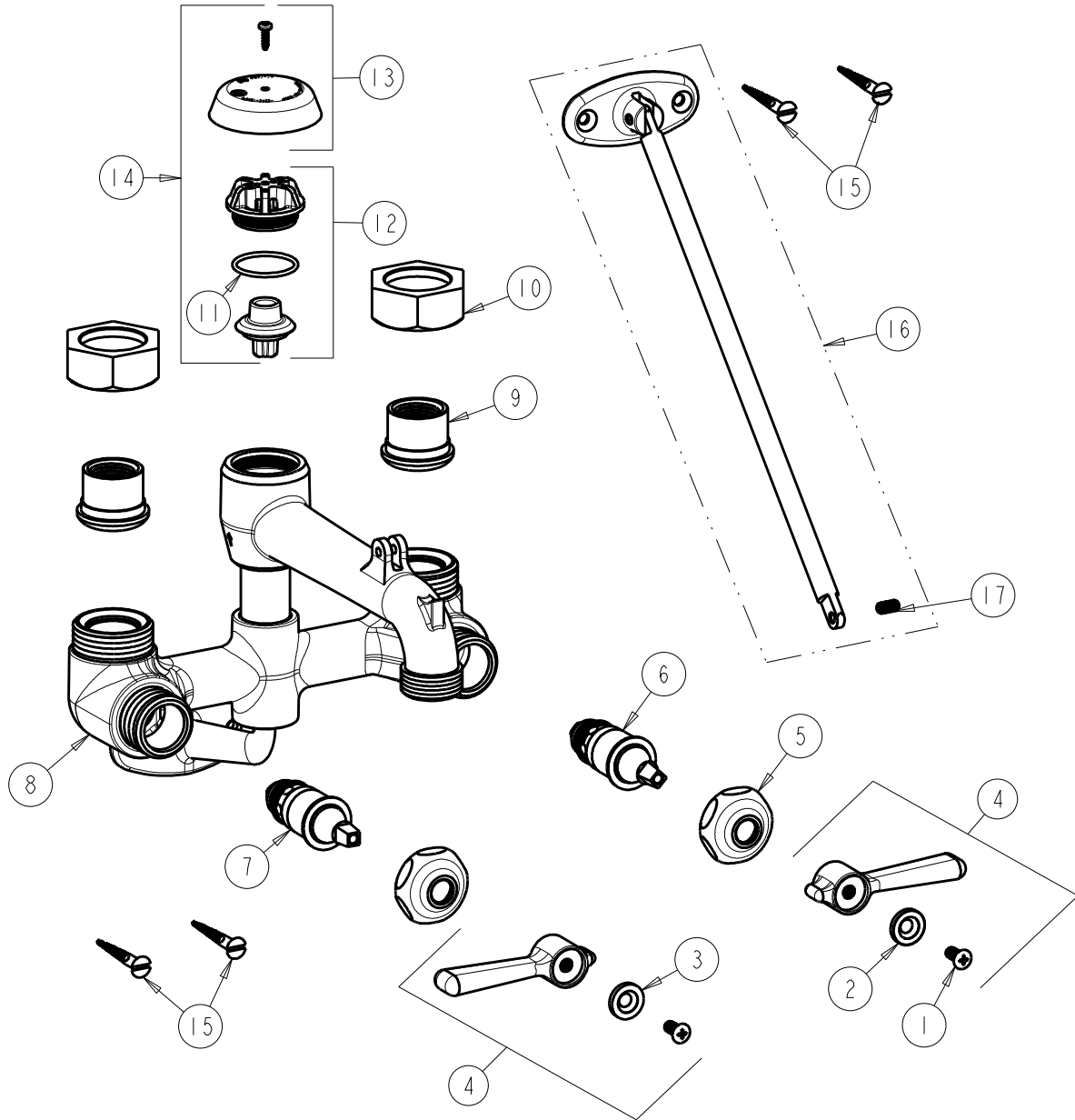
SUBMITTED MODEL NO.

ITEM NO.

BY: SID DATE: 03-25-11

CHK: *[Signature]* REV: 06-14-12

FOR TECHNICAL ASSISTANCE
1-800-TEC-TRUE (1-800-832-8783)



ITEM	PART NO.	DESCRIPTION	ITEM	PART NO.	DESCRIPTION
1	420-010JKRCF	SCREW, 10-32 UNC PH 1/2	10	177-002JKCP	UNION NUT
2	633-123JKNF	INDEX BUTTON (BLUE)	11	80-007JKNF	O RING 0.989 X .070
3	633-023JKNF	INDEX BUTTON (RED)	12	892-302KJKNF	VACUUM BREAKER REPAIR KIT
4	369-PRJKCP	LEVER HANDLE ASSEMBLY (PAIR)	13	892-254KJKCP	VACUUM BREAKER COVER w/ SCREW
5	1-214JKCP	CAP	14	892-402KJKNF	KIT, VACUUM BREAKER ASSEMBLY
6	1-100XTJKNF	QUATURN CARTRIDGE (LH)	15	173-006JKCP	FLAT HEAD WOOD SCREW
7	1-099XTJKNF	QUATURN CARTRIDGE (RH)	16	897-013KJKCP	BRACE ROD ASSEMBLY
8	---	VALVE BODY	17	665-116JKNF	SET SCREW
9	177-003JKCP	UNION TAILPIECE			