



a Geberit company

2100 South Clearwater Drive  
Des Plaines, IL 60018  
Phone: 847-803-5000  
Fax: 847-803-5454  
www.chicagofaucets.com

# REPAIR PARTS

BY: SID DATE: 04-02-13

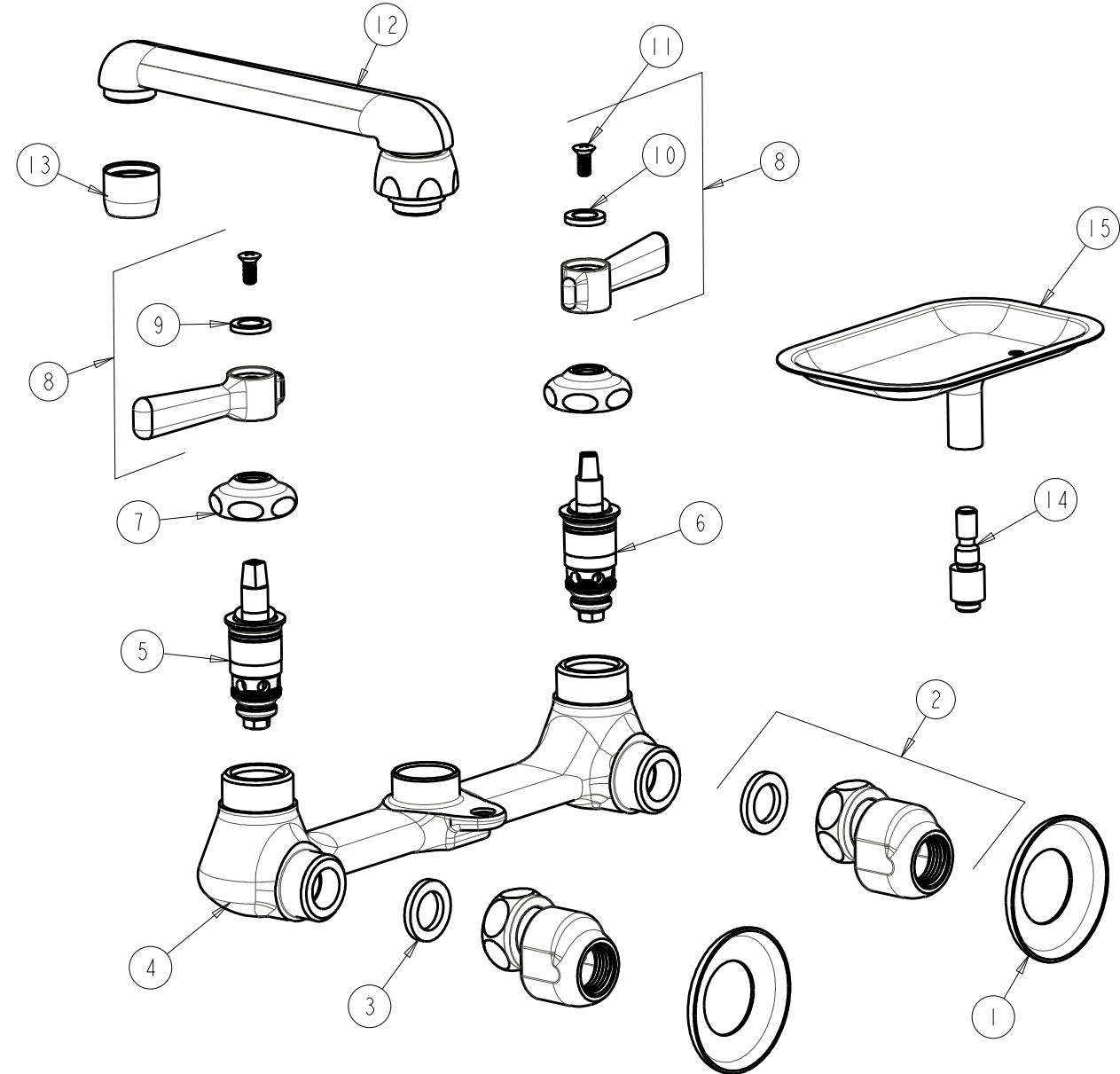
CHK: *[Signature]* REV:

FITTING NO.

540-ABCP

SUBMITTED MODEL NO.

ITEM NO.



ITEM	PART NO.	DESCRIPTION	ITEM	PART NO.	DESCRIPTION
1	1-055JKCP	FLANGE	9	633-123JKNF	INDEX BUTTON (BLUE)
2	GJKABCP	ARM ASSEMBLY w/WASHER	10	633-023JKNF	INDEX BUTTON (RED)
3	1-011JKNF	WASHER, .97 X .62 X .12	11	420-010JKRCF	SCREW, 10-32 UNC PH 1/2
4	-----	VALVE BODY (NOT SOLD SEPARATELY)	12	S6LESSE3JKCP	SPOUT
5	1-099XTJKABNF	QUATURN CARTRIDGE (RH)	13	E3JKABCP	SOFTFLO AERATOR 2.2 GPM
6	1-100XTJKABNF	QUATURN CARTRIDGE (LH)	14	444-002JKCP	SOAP DISH POST
7	1-214JKCP	CAP	15	540-019KJKCP	SOAP DISH ASSEMBLY
8	369-PRJKCP	LEVER HANDLE ASSEMBLY (PAIR)			