

**REPAIR PARTS**

BY: JAR DATE: 05-22-13  
CHK: *Joe* REV: 01-13-22

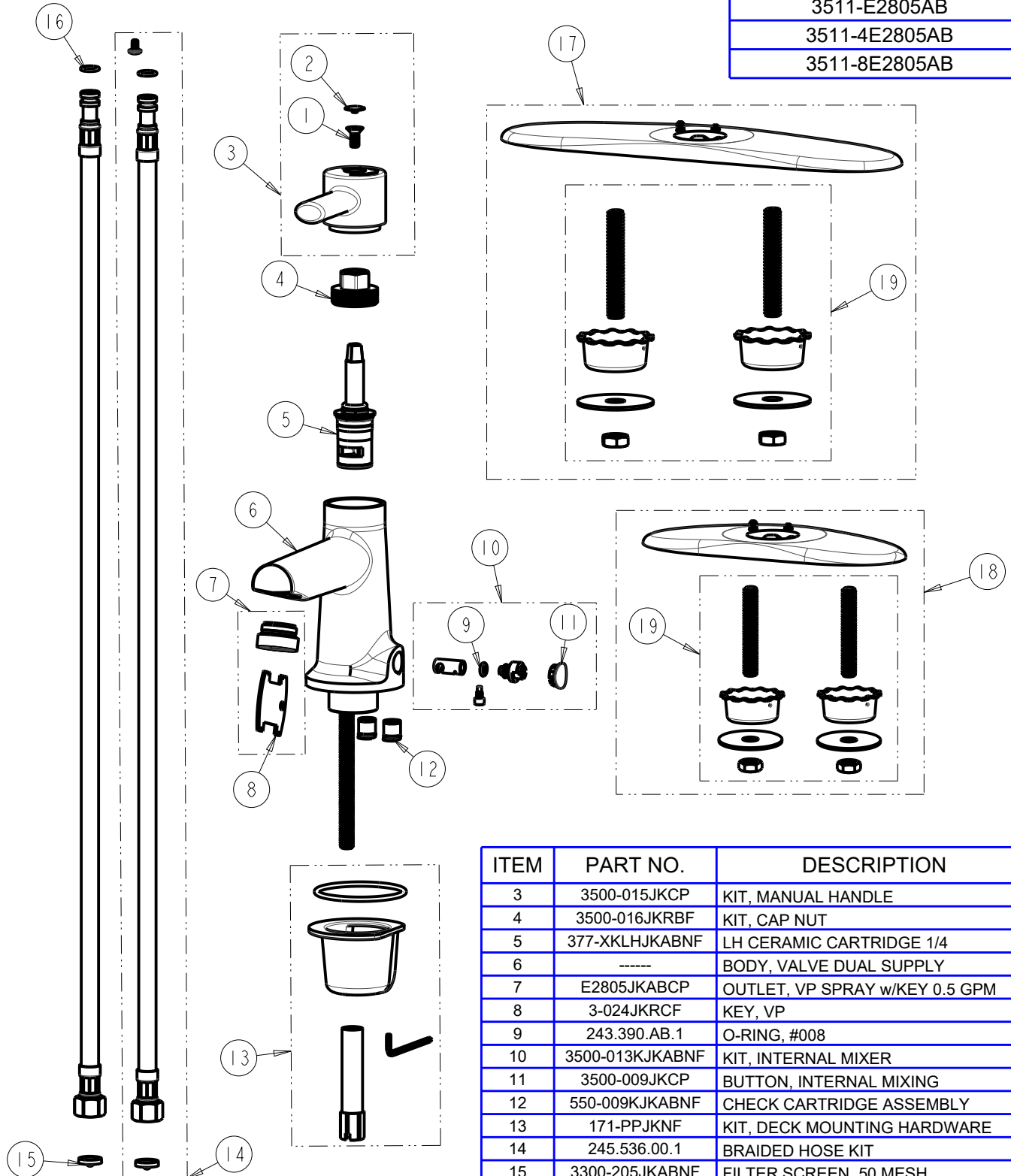
FITTING NO.  
**SEE SCHEDULE**  
SUBMITTED MODEL NO.

ITEM NO.

**FOR TECHNICAL ASSISTANCE**  
1-800-TEC-TRUE (1-800-832-8783)

**SCHEDULE**

FITTING NO.  
3511-E2805AB  
3511-4E2805AB  
3511-8E2805AB



| ITEM | PART NO.        | DESCRIPTION                    |
|------|-----------------|--------------------------------|
| 3    | 3500-015JKCP    | KIT, MANUAL HANDLE             |
| 4    | 3500-016JKRBF   | KIT, CAP NUT                   |
| 5    | 377-XKLHJKABNF  | LH CERAMIC CARTRIDGE 1/4       |
| 6    | -----           | BODY, VALVE DUAL SUPPLY        |
| 7    | E2805JKABCP     | OUTLET, VP SPRAY w/KEY 0.5 GPM |
| 8    | 3-024JKRCF      | KEY, VP                        |
| 9    | 243.390.AB.1    | O-RING, #008                   |
| 10   | 3500-013KJKABNF | KIT, INTERNAL MIXER            |
| 11   | 3500-009JKCP    | BUTTON, INTERNAL MIXING        |
| 12   | 550-009KJKABNF  | CHECK CARTRIDGE ASSEMBLY       |
| 13   | 171-PPJKNF      | KIT, DECK MOUNTING HARDWARE    |
| 14   | 245.536.00.1    | BRAIDED HOSE KIT               |
| 15   | 3300-205JKABNF  | FILTER SCREEN, 50 MESH         |
| 16   | 243.392.AB.1    | O-RING, #011                   |
| 17   | 3500-002KJKCP   | KIT, COVER PLATE 8 IN          |
| 18   | 3500-001KJKCP   | KIT, COVER PLATE 4 IN          |
| 19   | 242.872.21.1    | KIT, COVER PLATE MOUNTING      |

| ITEM | PART NO.     | DESCRIPTION                    |
|------|--------------|--------------------------------|
| 1    | 420-020JKNF  | SCREW, 1/8 FLAT HEX HEAD X 1/2 |
| 2    | 3500-005JKCP | BUTTON                         |